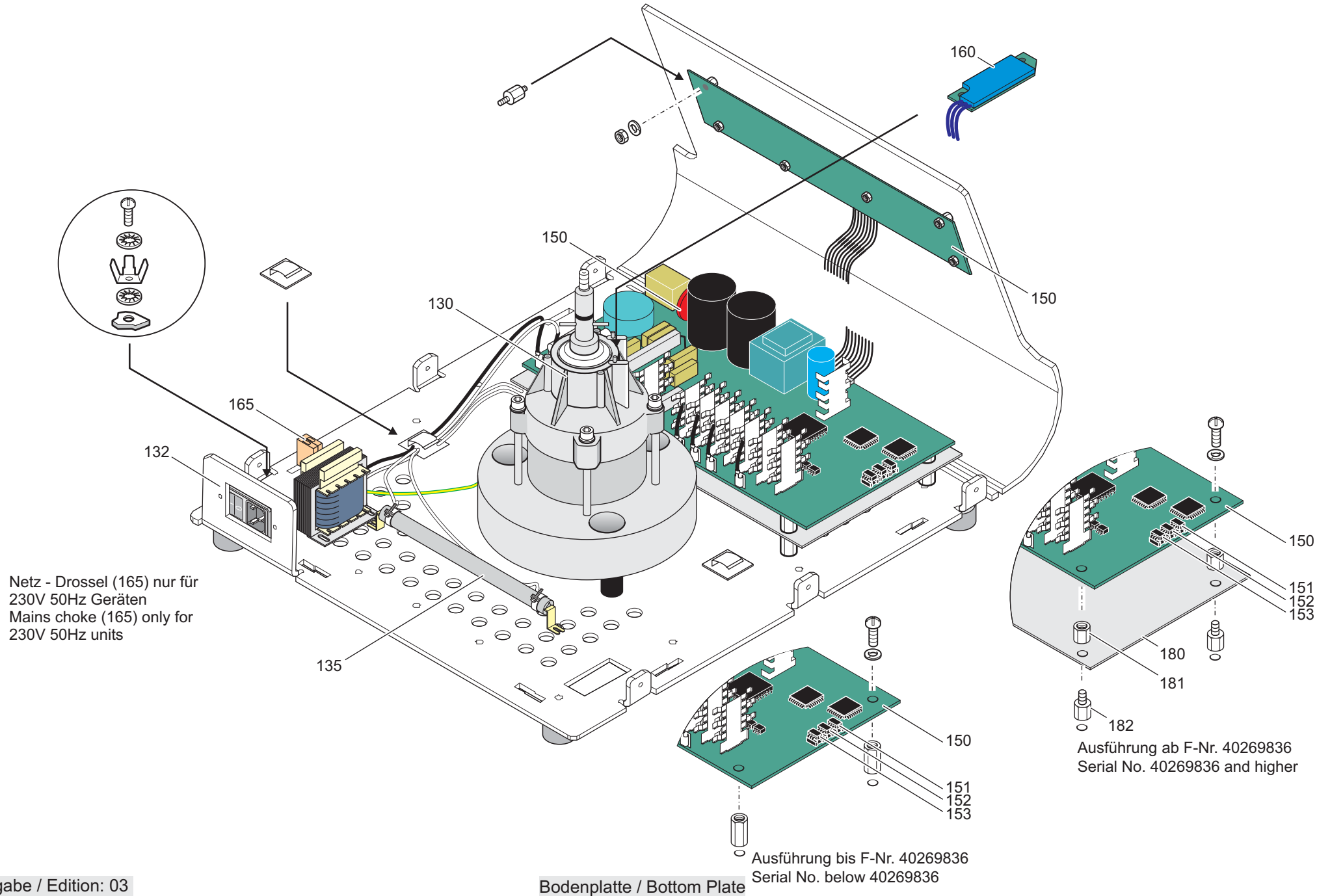
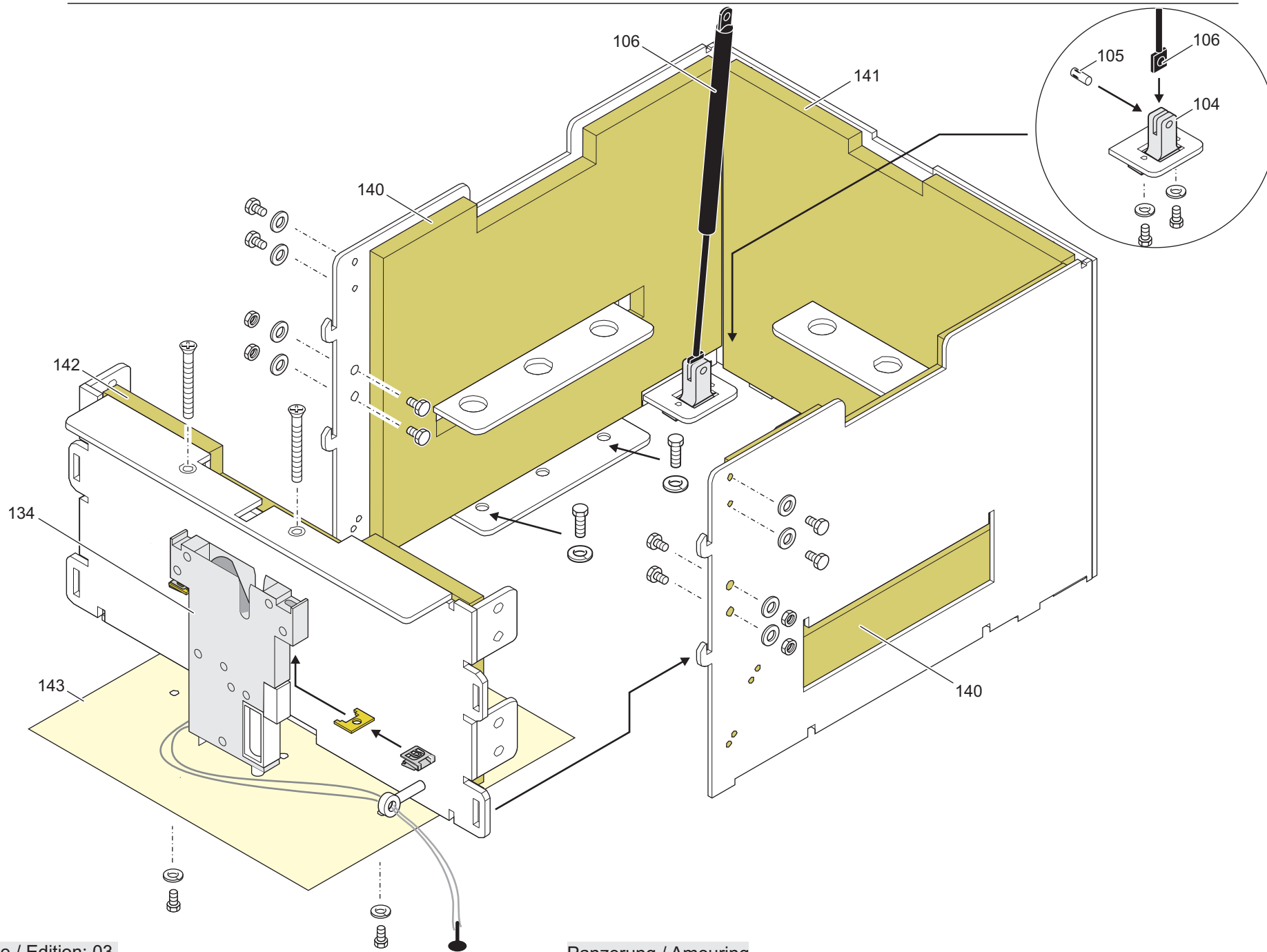
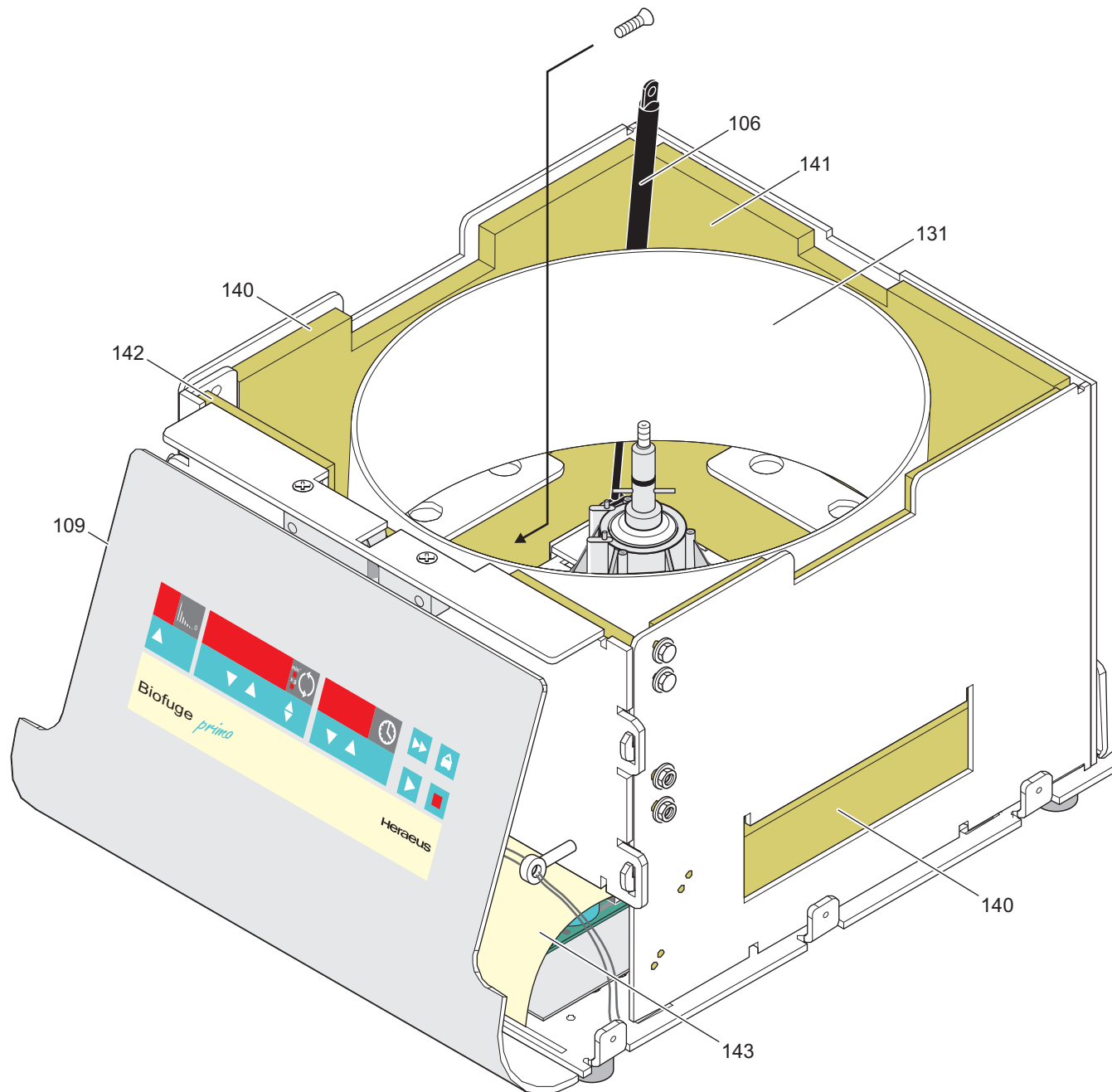
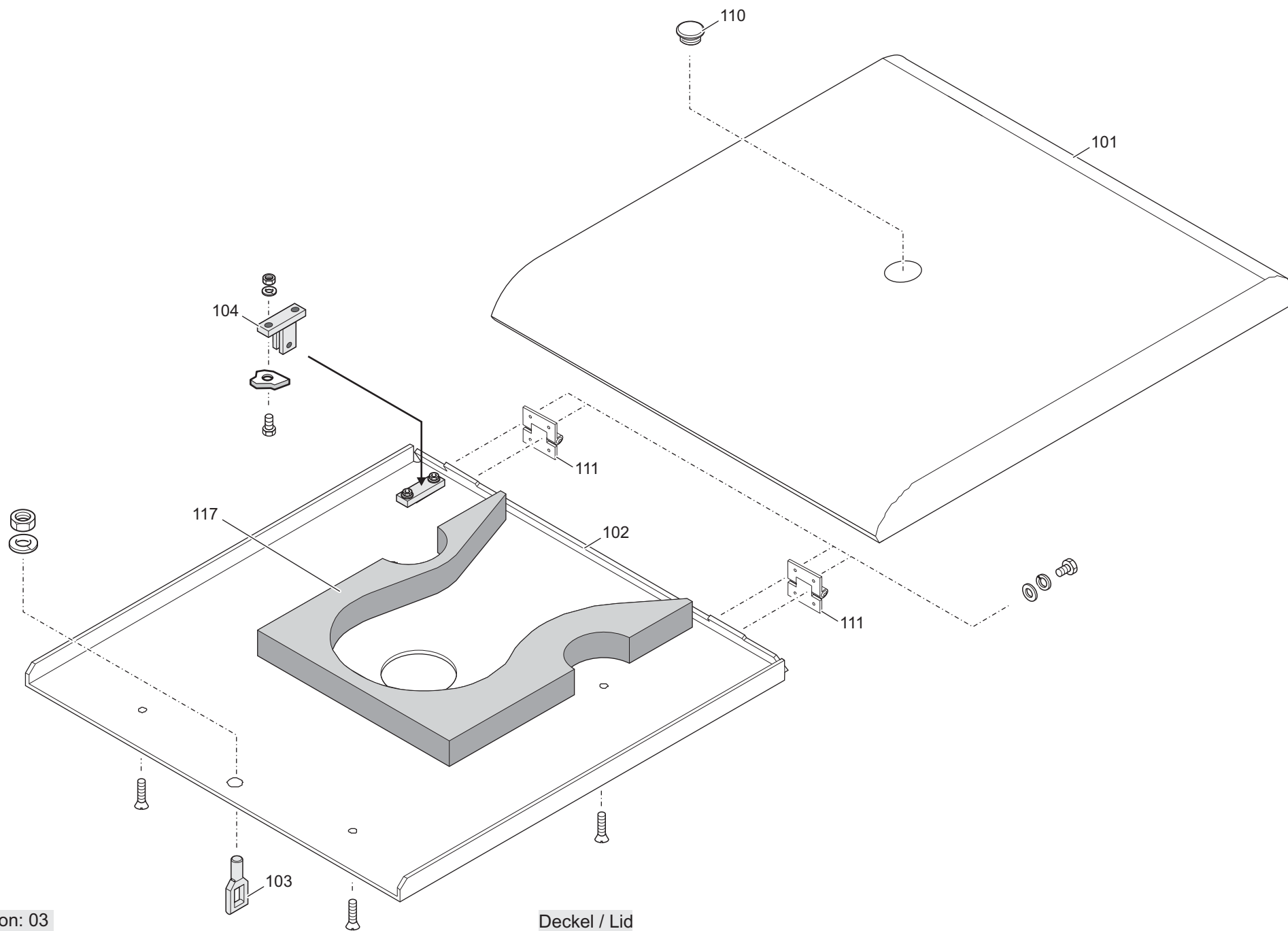


Netz - Drossel (165) nur für
230V 50Hz Geräten
Mains choke (165) only for
230V 50Hz units









Spare-Part-List

Kendro Laboratory Products

Plant Osterode

75005182 - 01

BIOFUGE PRIMO 120V 50/60HZ

from Serial-No. 254550

to Serial-No. 283125

Index	Partno.	Text
100	20056504	HOUSING
101	20056505	LID
102	70056507	INNER LID
103	20056527	LID HOOK
104	20023748	HINGE BRACKET
105	20490287	PIN
106	20310420	GAS LID STAY
107	70056208	NUT
108	20056506	SEAL
109	20056503	FOIL BIOFUGE PRIMO
	20057181	FOIL SORVALL BIOFUGE PRIMO
110	20050543	WINDOW
111	20056516	HINGE
112	20056508	MOTOR COVER
113	20460158	BOLT M4 X 12
114	20056509	RUBBER BAFFLE
115	20360072	SPANNER 10 MM
130	20210380	MOTOR
131	20056517	RING, STEAL
132	20180628	SOCKET
133	20190247	MAINSCABLE
134	70908552	LID LOCK
135	20160704	RESISTOR 220R 150W
136	10104080	WASHER (SAND)
137	20300076	ANTIVIBRATION MOUNT
138	20056514	INSULATION
139	20300078	FOOT
140	20056511	BAFFLE (LEFT AND RIGHT)
141	20056510	BAFFLE (BACKSIDE)
142	20056512	BAFFLE, FRONT
143	20056515	INSOLATION FOIL
150	20150141	MAINBOARD
151	70902573	NV RAM IMBALANCE
152	70902571	NV RAM PARAMATER
153	70902572	NV RAM PROFILES
154	20230211	FUSE 8 A, SLOW BLOWN

Spare-Part-List

Kendro Laboratory Products

Plant Osterode

75005182 -02

BIOFUGE PRIMO 120V 50/60HZ

from Serial-No. 283126

to Serial-No. 40194250

Index	Partno.	Text
100	20056504	HOUSING
101	20056505	LID
102	70056507	INNER LID
103	20056527	LID HOOK
104	20023748	HINGE BRACKET
105	20490287	PIN
106	20310420	GAS LID STAY
107	70056208	NUT
108	20056506	SEAL
109	20056503	FOIL BIOFUGE PRIMO
	20057181	FOIL SORVALL BIOFUGE PRIMO
110	20050543	WINDOW
111	20056516	HINGE
112	20056508	MOTOR COVER
113	20460165	Head Screw
114	20056509	RUBBER BAFFLE
115	20360072	SPANNER 10 MM
130	20210385	MOTOR
131	20056517	RING, STEAL
132	20180628	SOCKET
133	20190247	MAINSCABLE
134	70908552	LID LOCK
135	20160704	RESISTOR 220R 150W
136	10104080	WASHER (SAND)
137	20300076	ANTIVIBRATION MOUNT
139	20300078	FOOT
140	20056511	BAFFLE (LEFT AND RIGHT)
141	20056510	BAFFLE (BACKSIDE)
142	20056512	BAFFLE, FRONT
143	20056749	FOIL SEAL
150	20150141	MAINBOARD
151	70902573	NV RAM IMBALANCE
152	70902571	NV RAM PARAMATER
153	70902572	NV RAM PROFILES
154	20230211	FUSE 8 A, SLOW BLOWN
160	20150176	ROTOR RECOGNITION

Spare-Part-List

Kendro Laboratory Products

Plant Osterode

75005182 -03

BIOFUGE PRIMO 120V 50/60HZ

from Serial-No. 40194251

to Serial-No. 40269835

Index	Partno.	Text
100	20056504	HOUSING
101	20056505	LID
102	70056507	INNER LID
103	20056527	LID HOOK
104	20023748	HINGE BRACKET
105	20490287	PIN
106	20310420	GAS LID STAY
107	70056208	NUT
108	20056506	SEAL
109	20056503	FOIL BIOFUGE PRIMO
	20057181	FOIL SORVALL BIOFUGE PRIMO
110	20050543	WINDOW
111	20056516	HINGE
112	20056508	MOTOR COVER
113	20460165	Head Screw
114	20056509	RUBBER BAFFLE
115	20360072	SPANNER 10 MM
130	20210385	MOTOR
131	20056517	RING, STEAL
132	20180628	SOCKET
133	20190247	MAINSCABLE
134	70908552	LID LOCK
135	20160704	RESISTOR 220R 150W
136	10104080	WASHER (SAND)
137	20300076	ANTIVIBRATION MOUNT
139	20300078	FOOT
140	20056511	BAFFLE (LEFT AND RIGHT)
141	20056510	BAFFLE (BACKSIDE)
142	20056512	BAFFLE, FRONT
143	20056749	FOIL SEAL
150	20150141	MAINBOARD
151	70902573	NV RAM IMBALANCE
152	70902571	NV RAM PARAMATER
153	70902572	NV RAM PROFILES
154	20230211	FUSE 8 A, SLOW BLOWN
160	20150176	ROTOR RECOGNITION
170	20150201	Speed and Imbalance recognition board

Spare-Part-List**Kendro Laboratory Products**

Plant Osterode

75005182.04**BIOFUGE PRIMO 120V 50/60HZ**

from Serial-No. 40269836

to Serial-No.

Index	Partno.	Text
100	20056504	HOUSING
101	20056505	LID
102	70056507	INNER LID
103	20056527	LID HOOK
104	20023748	HINGE BRACKET
105	20490287	PIN
106	20310420	GAS LID STAY
107	70056208	NUT
108	20056506	SEAL
109	20056503	FOIL BIOFUGE PRIMO
	20057181	FOIL SORVALL BIOFUGE PRIMO
110	20050543	WINDOW
111	20056516	HINGE
112	20056508	MOTOR COVER
113	20460165	Head Screw
114	20056509	RUBBER BAFFLE
115	20360072	SPANNER 10 MM
130	20210385	MOTOR
131	20056517	RING, STEAL
132	20180628	SOCKET
133	20190247	MAINSCABLE
134	70908552	LID LOCK
135	20160704	RESISTOR 220R 150W
136	10104080	WASHER (SAND)
137	20300076	ANTIVIBRATION MOUNT
139	20300078	FOOT
140	20056511	BAFFLE (LEFT AND RIGHT)
141	20056510	BAFFLE (BACKSIDE)
142	20056512	BAFFLE, FRONT
143	20056749	FOIL SEAL
150	20150141	MAINBOARD
151	70902573	NV RAM IMBALANCE
152	70902571	NV RAM PARAMATER
153	70902572	NV RAM PROFILES
154	20230211	FUSE 8 A, SLOW BLOWN
160	20150176	ROTOR RECOGNITION
170	20150201	Speed and Imbalance recognition board
180	70060553	Metal sheet
181	20220547	BOLT, SPACER

Spare-Part-List**Kendro Laboratory Products**

Plant Osterode

75005182_04**BIOFUGE PRIMO 120V 50/60HZ**

from Serial-No. 40269836

to Serial-No.

Index**Partno.****Text**

182

20220426

SPACER

75005181 .01**BIOFUGE PRIMO 230V**

from Serial-No. 251445

to Serial-No. 281181

Index	Partno.	Text
100	20056504	HOUSING
101	20056505	LID
102	70056507	INNER LID
103	20056527	LID HOOK
104	20023748	HINGE BRACKET
105	20490287	PIN
106	20310420	GAS LID STAY
107	70056208	NUT
108	20056506	SEAL
109	20056503	FOIL BIOFUGE PRIMO
	20057181	FOIL SORVALL BIOFUGE PRIMO
110	20050543	WINDOW
111	20056516	HINGE
112	20056508	MOTOR COVER
113	20460158	BOLT M4 X 12
114	20056509	RUBBER BAFFLE
115	20360072	SPANNER 10 MM
130	20210380	MOTOR
131	20056517	RING, STEAL
132	20180628	SOCKET
133	20190246	MAINS CABLE FOR POWER SUPPLY UNIT
134	70908550	LID LOCK
135	20160704	RESISTOR 220R 150W
136	10104080	WASHER (SAND)
137	20300076	ANTIVIBRATION MOUNT
138	20056514	INSULATION
139	20300078	FOOT
140	20056511	BAFFLE (LEFT AND RIGHT)
141	20056510	BAFFLE (BACKSIDE)
142	20056512	BAFFLE, FRONT
143	20056515	INSOLATION FOIL
150	20150142	MAINBOARD
151	70902573	NV RAM IMBALANCE
152	70902571	NV RAM PARAMATER
153	70902572	NV RAM PROFILES
154	20230158	FUSE 5X20 4A SLOW

75005181 -02**BIOFUGE PRIMO 230V**

from Serial-No. 281182

to Serial-No. 40176543

Index	Partno.	Text
100	20056504	HOUSING
101	20056505	LID
102	70056507	INNER LID
103	20056527	LID HOOK
104	20023748	HINGE BRACKET
105	20490287	PIN
106	20310420	GAS LID STAY
107	70056208	NUT
108	20056506	SEAL
109	20056503	FOIL BIOFUGE PRIMO
	20057181	FOIL SORVALL BIOFUGE PRIMO
110	20050543	WINDOW
111	20056516	HINGE
112	20056508	MOTOR COVER
113	20460165	Head Screw
114	20056509	RUBBER BAFFLE
115	20360072	SPANNER 10 MM
130	20210385	MOTOR
131	20056517	RING, STEAL
132	20180628	SOCKET
133	20190246	MAINS CABLE FOR POWER SUPPLY UNIT
134	70908550	LID LOCK
135	20160704	RESISTOR 220R 150W
136	10104080	WASHER (SAND)
137	20300076	ANTIVIBRATION MOUNT
139	20300078	FOOT
140	20056511	BAFFLE (LEFT AND RIGHT)
141	20056510	BAFFLE (BACKSIDE)
142	20056512	BAFFLE, FRONT
143	20056749	FOIL SEAL
150	20150142	MAINBOARD
151	70902573	NV RAM IMBALANCE
152	70902571	NV RAM PARAMATER
153	70902572	NV RAM PROFILES
154	20230158	FUSE 5X20 4A SLOW
160	20150176	ROTOR RECOGNITION
165	20170334	Choke 7,33 mH 4A

75005181 -03**BIOFUGE PRIMO 230V**

from Serial-No. 40176544

to Serial-No. 40269835

Index	Partno.	Text
100	20056504	HOUSING
101	20056505	LID
102	70056507	INNER LID
103	20056527	LID HOOK
104	20023748	HINGE BRACKET
105	20490287	PIN
106	20310420	GAS LID STAY
107	70056208	NUT
108	20056506	SEAL
109	20056503	FOIL BIOFUGE PRIMO
	20057181	FOIL SORVALL BIOFUGE PRIMO
110	20050543	WINDOW
111	20056516	HINGE
112	20056508	MOTOR COVER
113	20460165	Head Screw
114	20056509	RUBBER BAFFLE
115	20360072	SPANNER 10 MM
130	20210385	MOTOR
131	20056517	RING, STEAL
132	20180628	SOCKET
133	20190246	MAINS CABLE FOR POWER SUPPLY UNIT
134	70908550	LID LOCK
135	20160704	RESISTOR 220R 150W
136	10104080	WASHER (SAND)
137	20300076	ANTIVIBRATION MOUNT
139	20300078	FOOT
140	20056511	BAFFLE (LEFT AND RIGHT)
141	20056510	BAFFLE (BACKSIDE)
142	20056512	BAFFLE, FRONT
143	20056749	FOIL SEAL
150	20150142	MAINBOARD
151	70902573	NV RAM IMBALANCE
152	70902571	NV RAM PARAMATER
153	70902572	NV RAM PROFILES
154	20230158	FUSE 5X20 4A SLOW
160	20150176	ROTOR RECOGNITION
165	20170334	Choke 7,33 mH 4A
170	20150201	Speed and Imbalance recognition board

Spare-Part-List**Kendro Laboratory Products**

Plant Osterode

75005181 .04**BIOFUGE PRIMO 230V**

from Serial-No. 40269836

to Serial-No.

Index	Partno.	Text
102	70056507	INNER LID
103	20056527	LID HOOK
104	20023748	HINGE BRACKET
105	20490287	PIN
106	20310420	GAS LID STAY
107	70056208	NUT
108	20056506	SEAL
109	20056503	FOIL BIOFUGE PRIMO
	20057181	FOIL SORVALL BIOFUGE PRIMO
110	20050543	WINDOW
111	20056516	HINGE
112	20056508	MOTOR COVER
113	20460165	Head Screw
114	20056509	RUBBER BAFFLE
115	20360072	SPANNER 10 MM
130	20210385	MOTOR
131	20056517	RING, STEAL
132	20180628	SOCKET
133	20190246	MAINS CABLE FOR POWER SUPPLY UNIT
134	70908550	LID LOCK
135	20160704	RESISTOR 220R 150W
136	10104080	WASHER (SAND)
137	20300076	ANTIVIBRATION MOUNT
139	20300078	FOOT
140	20056511	BAFFLE (LEFT AND RIGHT)
141	20056510	BAFFLE (BACKSIDE)
142	20056512	BAFFLE, FRONT
143	20056749	FOIL SEAL
150	20150142	MAINBOARD
151	70902573	NV RAM IMBALANCE
152	70902571	NV RAM PARAMATER
153	70902572	NV RAM PROFILES
154	20230158	FUSE 5X20 4A SLOW
160	20150176	ROTOR RECOGNITION
165	20170334	Choke 7,33 mH 4A
170	20150201	Speed and Imbalance recognition board
180	70060553	Metal sheet
181	20220547	BOLT, SPACER
182	20220426	SPACER