

Item Number	Description	
1	Motor Cover	E840
2	Sealing Ring	2253
3	Centrifuge Chamber	E2724
4	Lid with window	E2725
5	Handle	E1481
6	Lid lining	E2722
7	Window with glue ring	E1323
8	Hinge	E2723
9	Pneumatic spring	E2726
10	Appliance plug combination element/ no fuse holder	E1616
11	Fuse holder	E1617
12	Fuse (T5A, H)(5x20mm)	E914
13	Left lid lock	E1477
14	Right lid lock	E1478
15	Control Panel	E2720
16	speed sensor	E730
17	Motor	E2712
18	motor mounts	E2094
19	upper anti-twist	E604
20	lower anti-twist	E2648
21	imbalance switch complete	E2530
22	Brake resistor	E849
23	Overtemp for brake resistor	E886
24	mains choke coil	
25	electronic power board (output section)	E2727
26	covering foil	E695
27	rubber foot	E2715

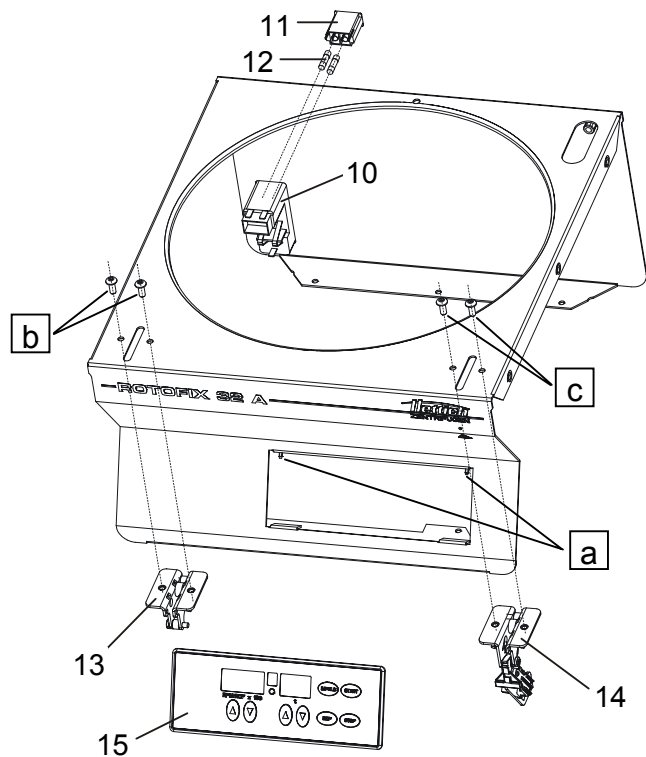


Fig. 2

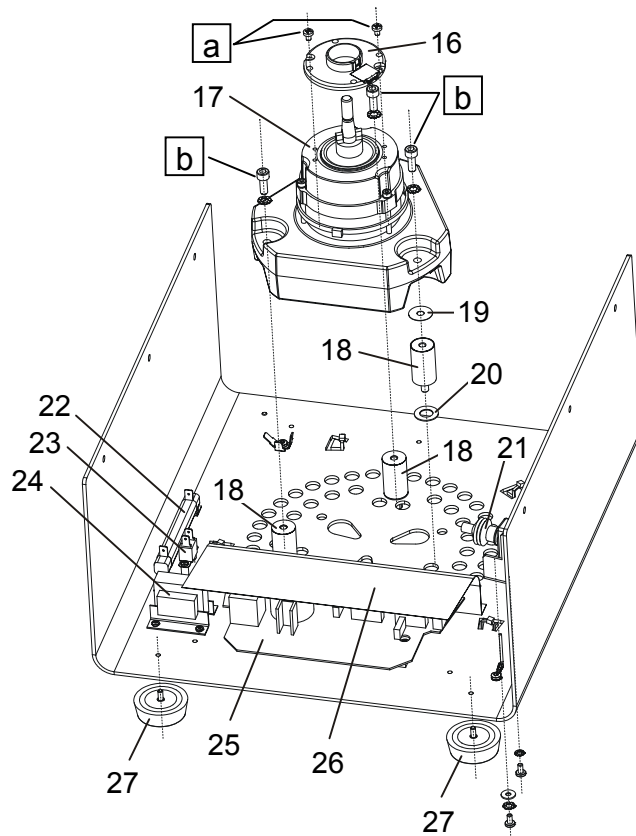


Fig. 3