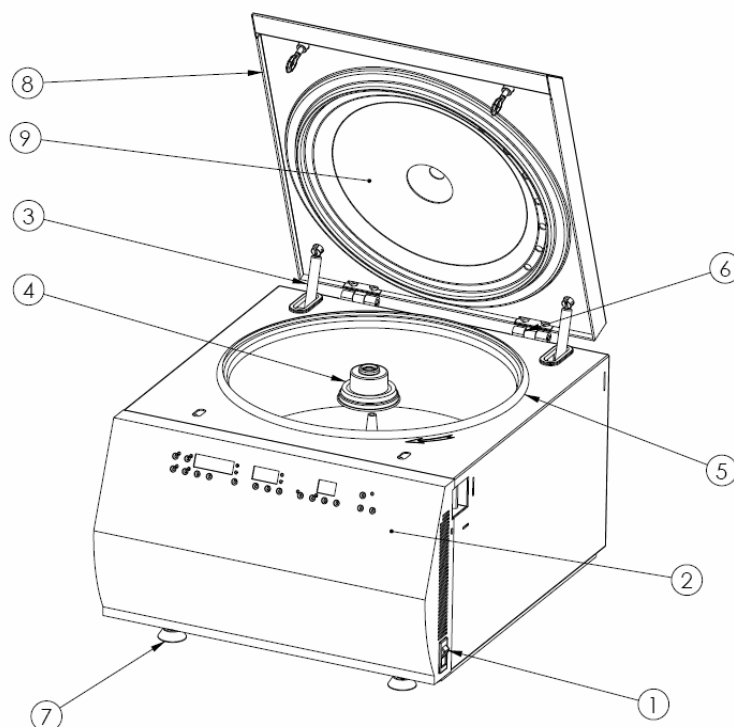


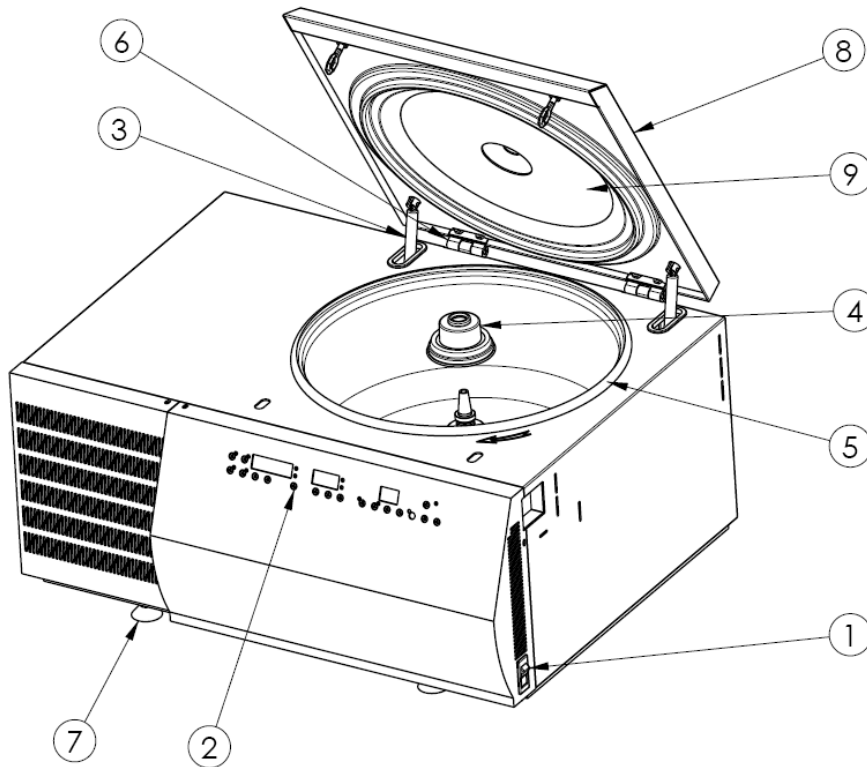
5. SPARE PARTS

5.1. T3 GENERAL SCHEMATIC



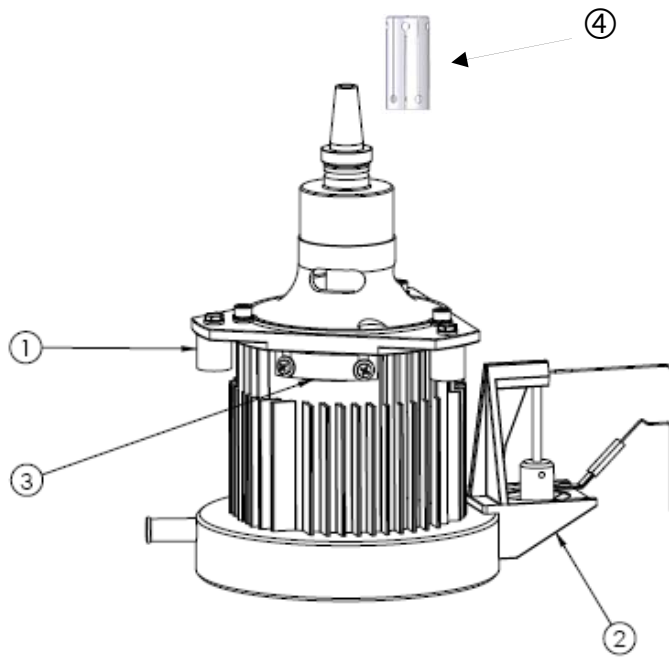
Mark	Reference	Description	Qty
1	86000287	Breaker for 230 V models	1
1	86001434	Breaker for 120 V models	1
2	11250238	Overlay – Sorvall T3	1
3	36032	Gas spring	2
4	25439072	Motor / bowl seal	1
5	25437049	Lid / bowl seal	1
6	85241270	Lid hinge	2
7	36028	Rubber foot	4
8	11250227	Lid assembly Sorvall T3	1
9	85210884	Inner plastic lid	1

5.2. RT3 GENERAL SCHEMATIC



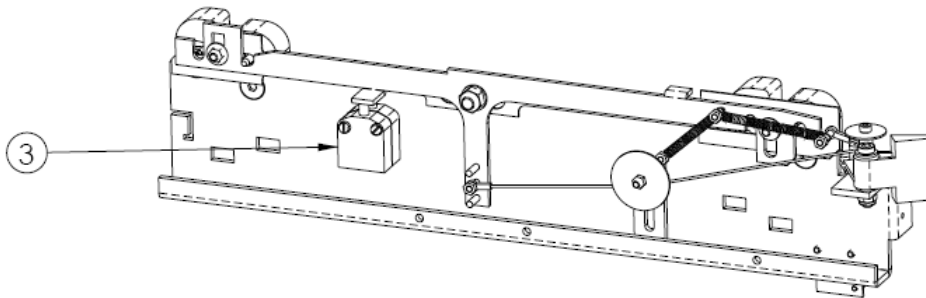
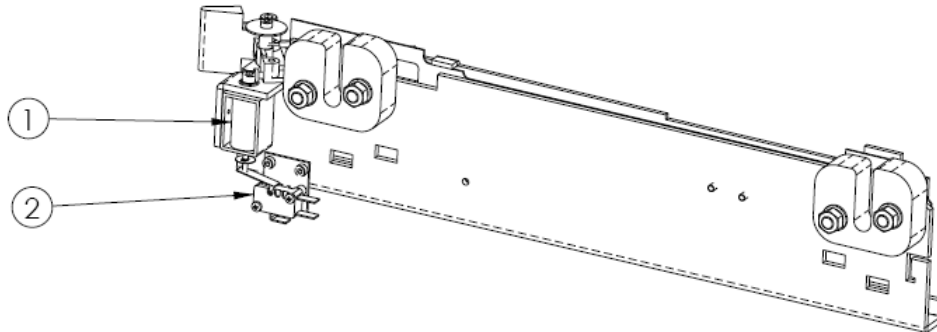
Mark	Reference	Description	Qty
1	86000287	Breaker for 230 V models	
1	86001434	Breaker for 120 V models	1
2	11250239	Overlay – Sorvall RT3	1
3	36032	Gas spring	2
4	25439072	Motor / bowl seal	1
5	25437049	Lid / bowl seal	1
6	85241270	Lid hinge	2
7	36028	Rubber foot	4
8	11250228	Lid assembly for SORVALL RT3	1
9	85210923	Inner plastic Lid for SORVALL RT3	1

5.3. MOTOR



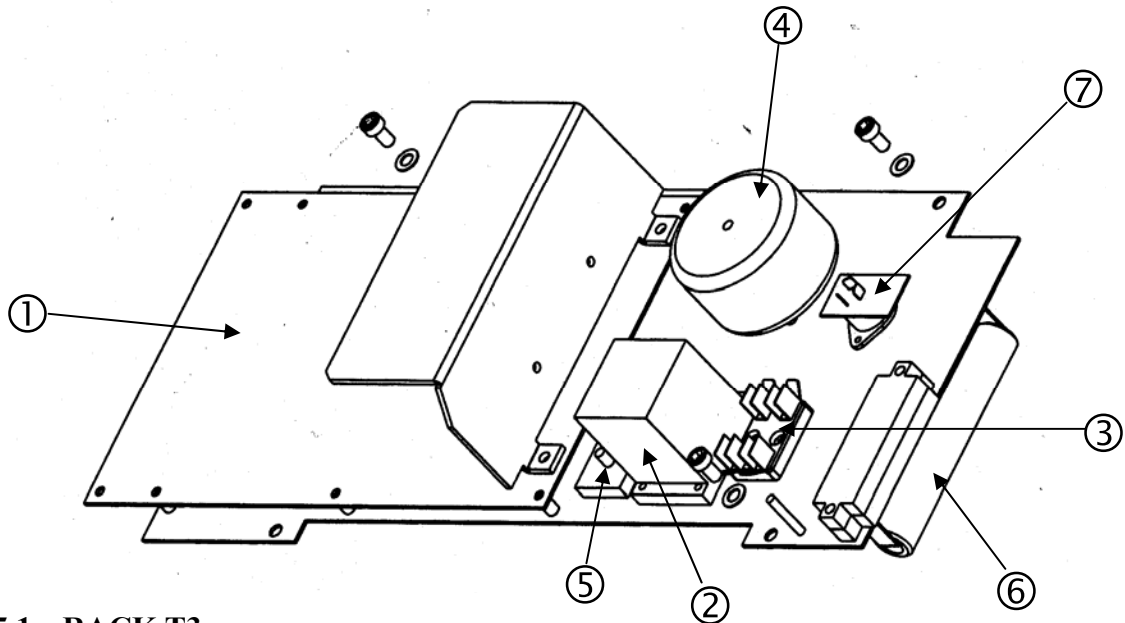
Mark	Reference All Models	Description	Qty
	11250241	Motor kit (includes shock absorbers)	1
1	26007026	Shock absorber (1 piece)	3
2	85480878	Imbalance detector	1
3	89003554	Speed sensor	1
4	20904430	Collect chuck	1

5.4. LOCK



Mark	Reference All Models	Description	Qty
	38633	Complete lock	1
1	89000309	Lid solenoid (without switch)	1
2	26487030	Micro switch (without lever)	1
	26461053	Flat lever	1
3	10047	Safety micro switch	2

5.5. ELECTRONIC RACK



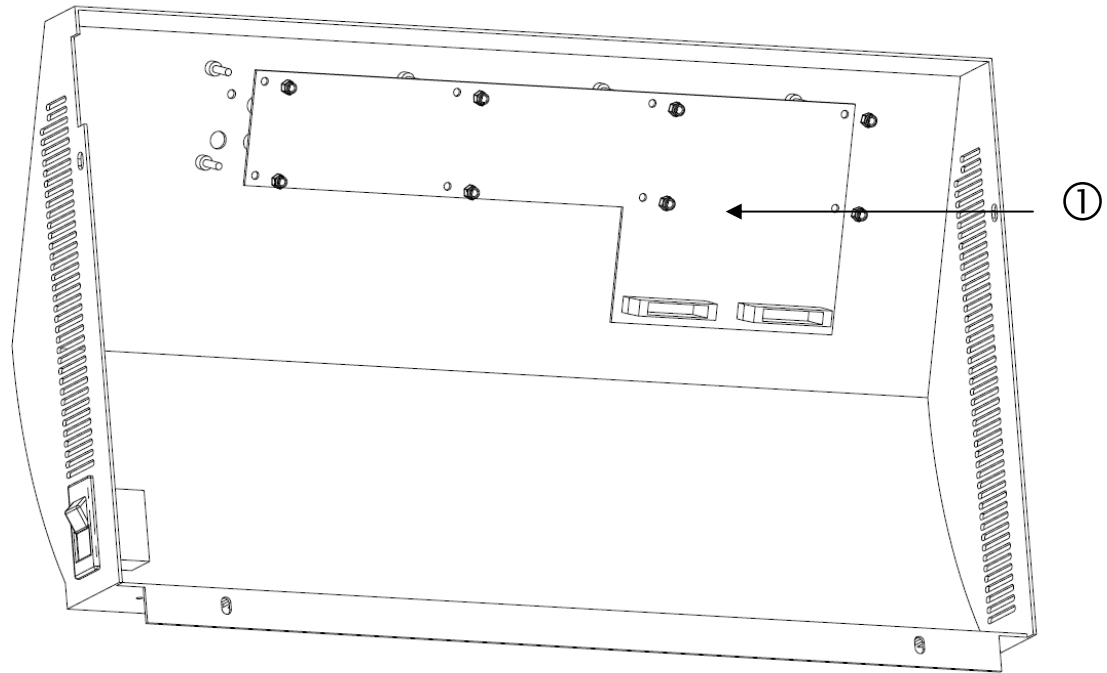
5.5.1. RACK T3

Mark	Reference 230 V	Reference 120 V	Description	Qty
1	89002891	38608	Main PCB SORVALL T3	1
	11250225	11250225	Programmed EPROM	1
2	86004585	86004586	Relay	1
3	26387034	26387045	Fuse	1
4	86004803	39903078	Transformer	1
5	--	86004598	Power bridge	1
6	86001432	86001432	Braking resistor	1
	85481427	85481431	Complete electronic rack	1

5.5.2. RACK RT3

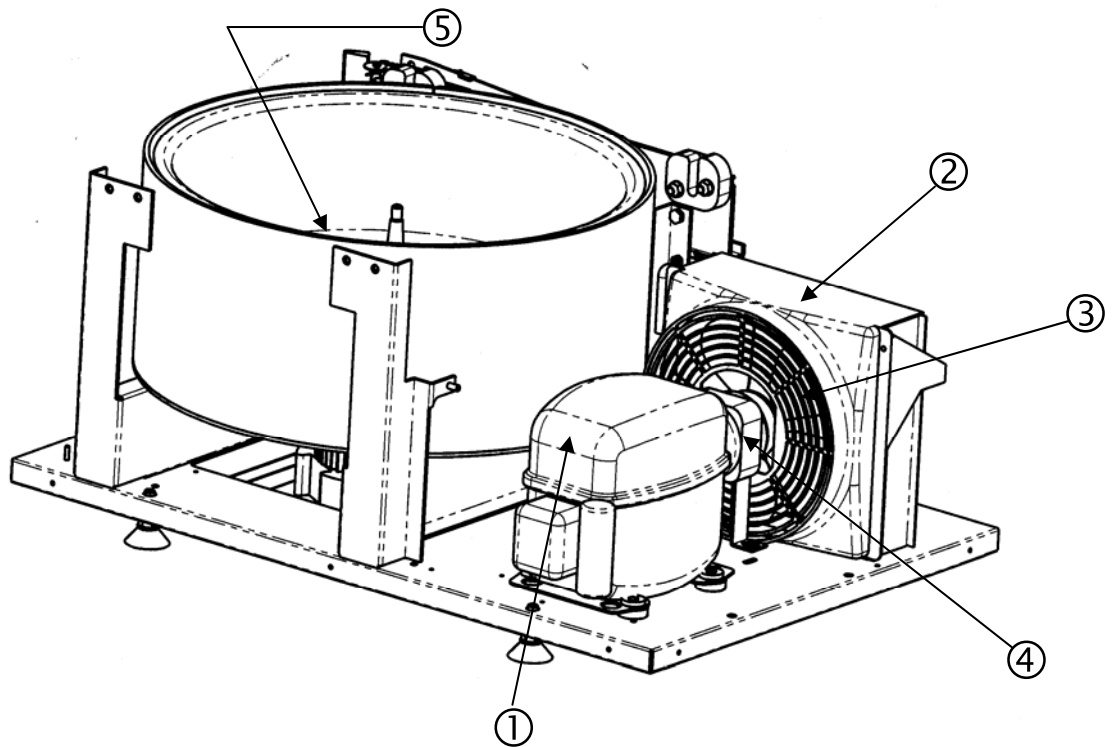
Mark	Reference 230 V	Reference 120 V	Description	Qty
1	89002893	36096	Main PCB SORVALL RT3	1
	11250226	11250226	Programmed EPROM	1
2	86004585	86004586	Relay	1
3	26387034	26387045	Fuse	1
4	86004803	39903078	Transformer	1
5	--	86004598	Power bridge	1
6	26001432	26001432	Braking resistor	1
7	89002899	89002899	Cooling control PC board	1
	85481426	85481430	Complete rack SORVALL RT3	1

5.6. FRONT PANEL



Mark	Reference	Description	Qty
1	89003600	Display PCB "packed" - MEGAFUGE 11/30/T1/T3	1
1	89003601	Display PCB "packed" - MEGAFUGE 11R/30R/RT1/RT3	1

5.7. COOLING UNIT (RT3)



Mark	Reference 230 V	Reference 120 V	Description	Qty
1	89003560	89003561	Compressor	1
2	89003562	89003562	Condensor	1
3	89003563	89003563	Fan	1
4	89003564	89003565	Motor + stand (without fan)	1
5	86001274	86001274	Temperature probe assy	1