

8 General arrangement of the components

Item	Designation
1	Lid
2	Left leg spring
3	Right leg spring
4	Covering sheet UNIVERSAL 320
5	Covering sheet UNIVERSAL 320 R
6	Packing ring
7	Motor cover UNIVERSAL 320
8	Motor cover UNIVERSAL 320 R
9	Folded bellow (only UNIVERSAL 320 R)
10	Front panel UNIVERSAL 320
11	Front panel UNIVERSAL 320 R
12	Rotary knob with flat spring
13	Jog shuttle with cable
14	Operating panel
15	Electronics U320, Electronics U320 R
16	Brake resistor
17	Overtemperature fuse at brake resistor
18	Speed sensor (on top of the motor)
19	Motor
20	Speed/imbalance sensor (at the bottom of the motor)
21	Rubber-metal bearing
22	Upper anti-twist device
23	Lower anti-twist device
24	Radio interference suppression filter (only 120 V version)
25	Appliance plug
26	ON-OFF switch UNIVERSAL 320
27	ON-OFF switch UNIVERSAL 320 R
28	Compressor (only UNIVERSAL 320 R)
29	Starting relaiy (only UNIVERSAL 320 R)
30	Starting capacitor (only UNIVERSAL 320 R)
31	Fan (only UNIVERSAL 320 R)
32	Temperature sensor in centrifuge chamber (only UNIVERSAL 320 R)
33	Temperature sensor at condenser (only UNIVERSAL 320 R)
34	Ventilation grille
35	Right lid lock complete
36	Gear motor
37	Electronics motor-driven lid lock
38	Eccentric disc
39	Left lid lock complete
40	Tension spring
41	Sliding block

Item number

1	E2660	
2	E2084	
3	E2086	
4	E2661	
5	E2662	
6	E1567	
7	E840	
8	E881	
9	E707	
10	E2663	
11	E2664	
12	E2341	
13	E2342	
14	E2275	E-control panel
15	E2072	(U320); E2076 (U320R)
16	E849	
17	E886	
18	E906	
19	E2439	
20	E2465	
21	E2094	
22	E604	upper anti twist
23	E2648	lower anti twist
24	E2649	
25	E507	
26	E1009	7 AMP switch
27	E1006	12 AMP switch
28	E2505	compressor, 115v/60Hz
29	included, no p.n.	starting relay
30	included, no p.n.	starting capacitor
31	E877	fan
32	E2068	temp sensor (bowl)
33	E2061	temp sensor (condensor)
34	E2352	vent grill (need 4 pcs to make full grill)
35	E2714	lid lock with motor
36	E2083	motor for lid lock
37	<i>no part number</i>	Electronics for lid lock (111.34.98.00)
38	E2354	Eccentric
39	E2546	Lid lock complete (left)
40	E2666	tension spring
41	<i>no part numbers</i>	guide bushing (111.34.26.04) with notched pin (D1471 2X08A2E)

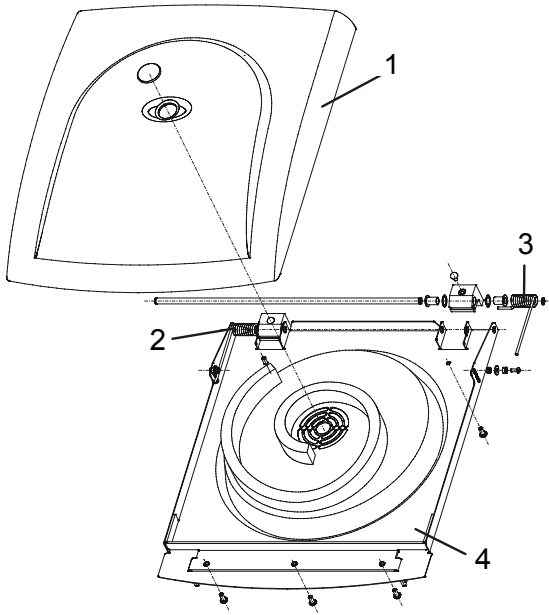


Fig. 1

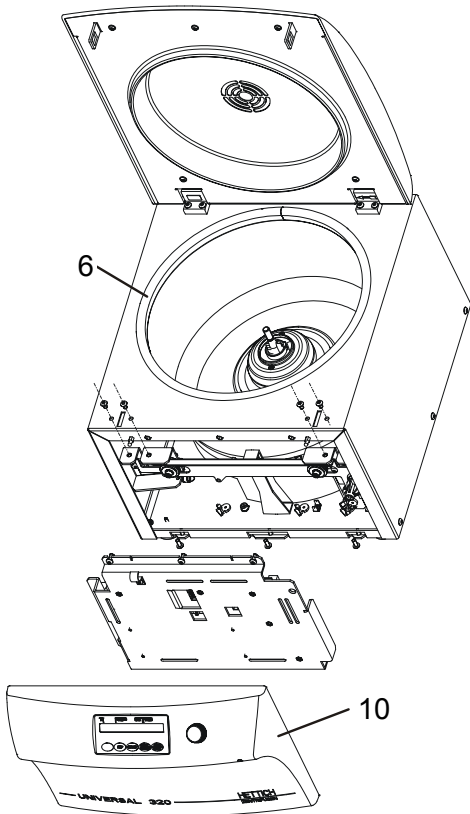


Fig. 2

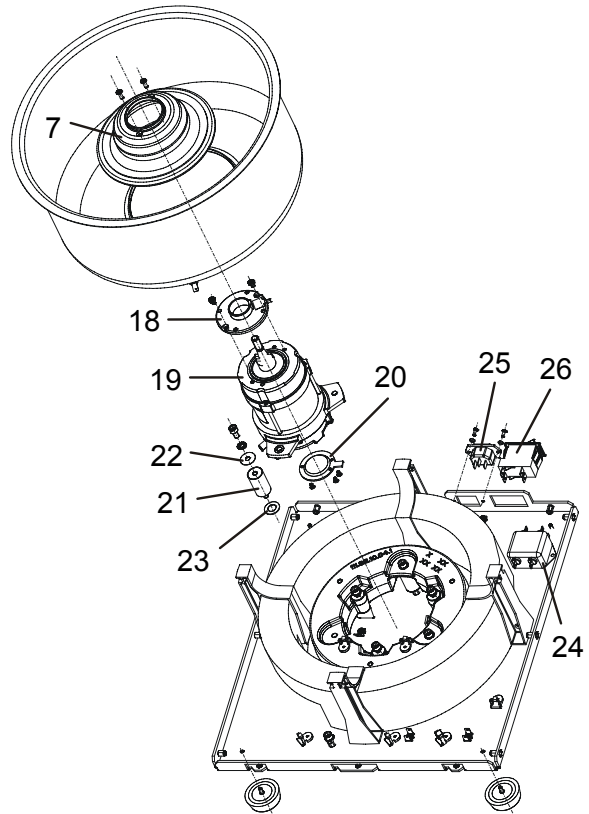


Fig. 3

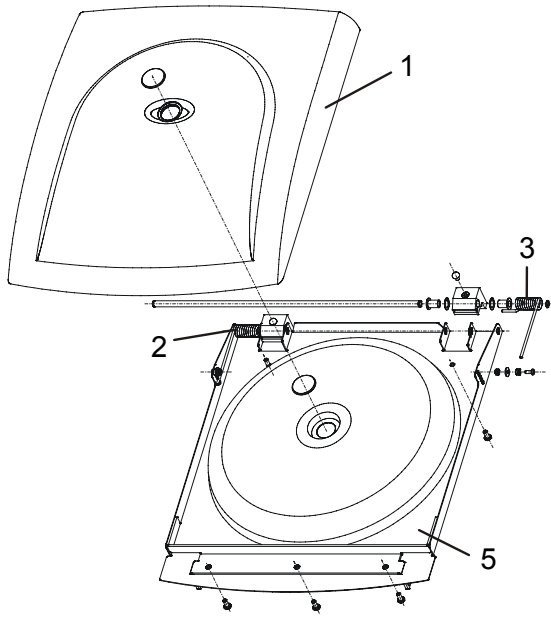


Fig. 4

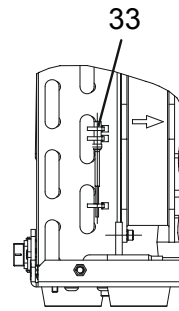


Fig. 5

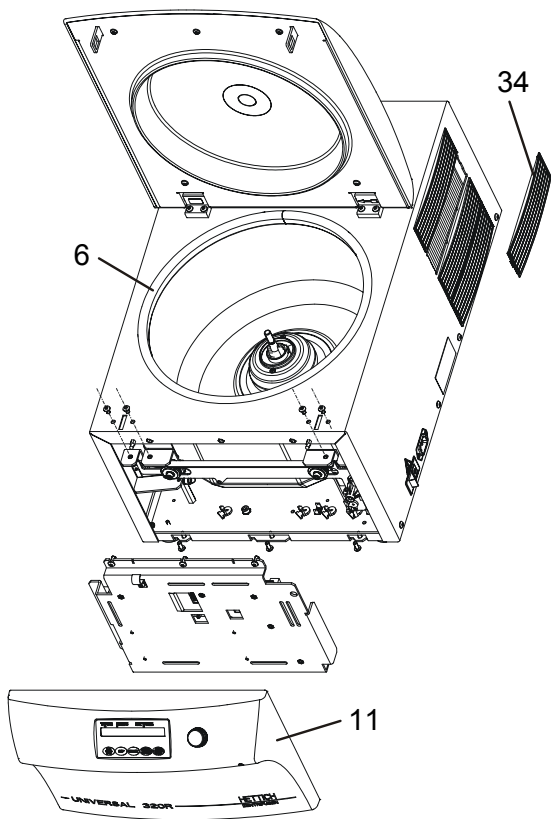


Fig. 6

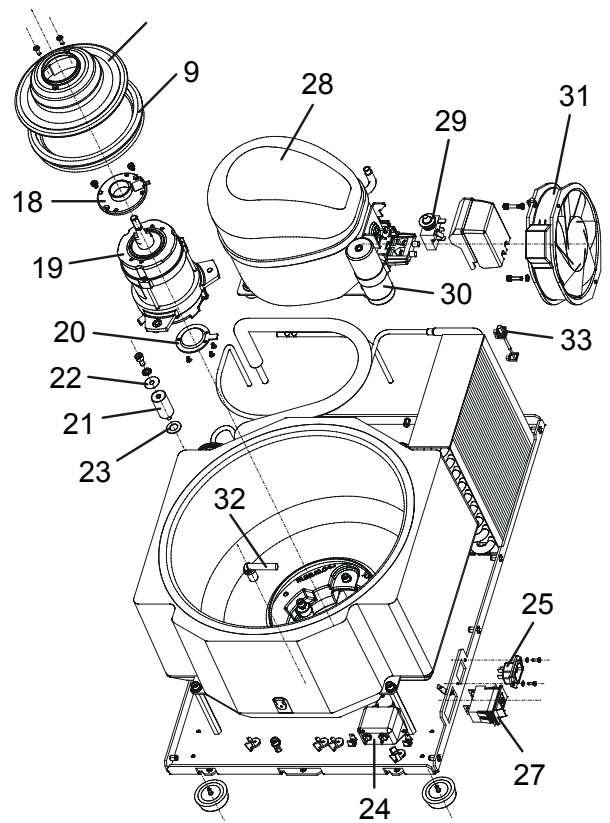


Fig. 7