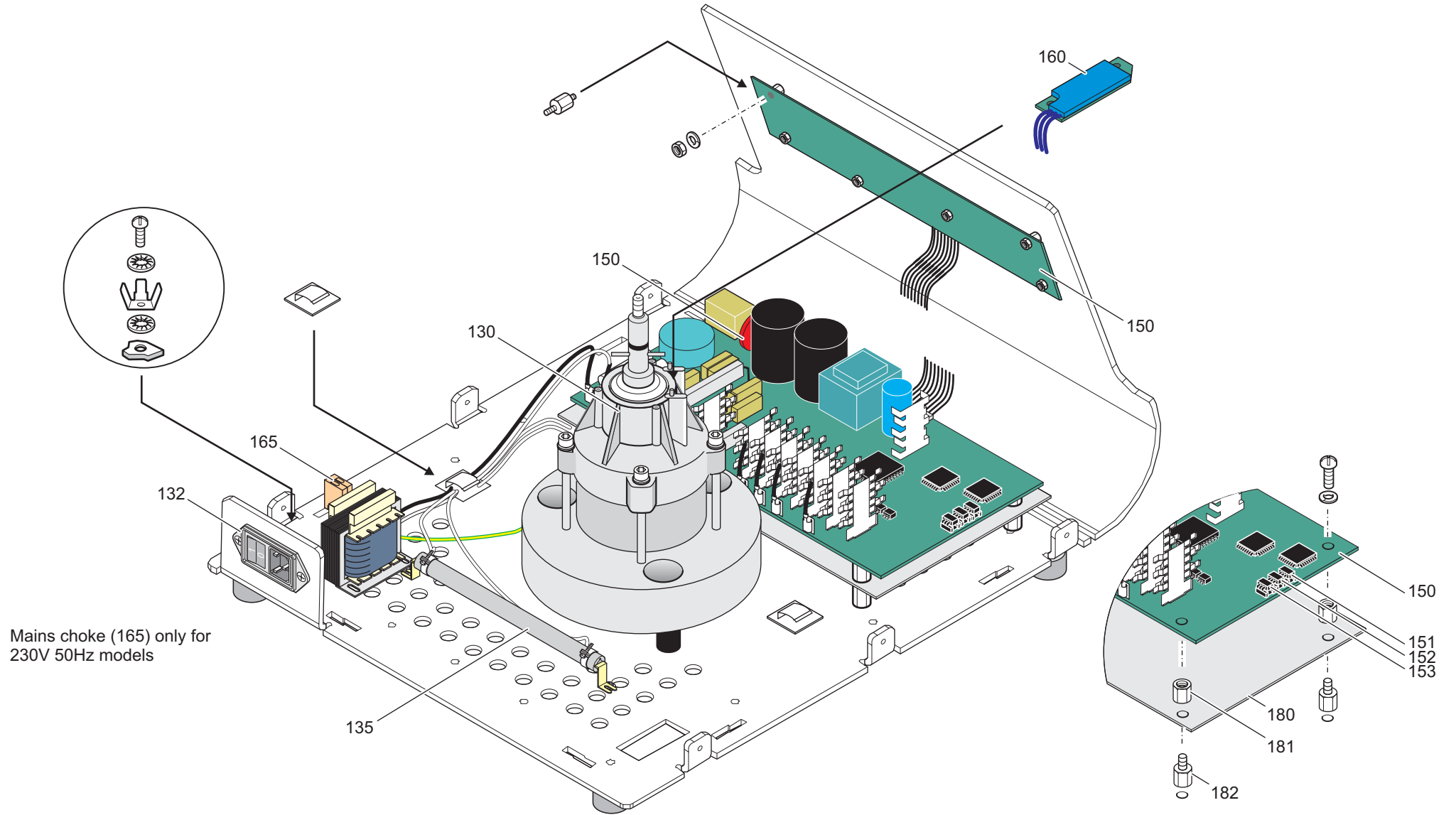
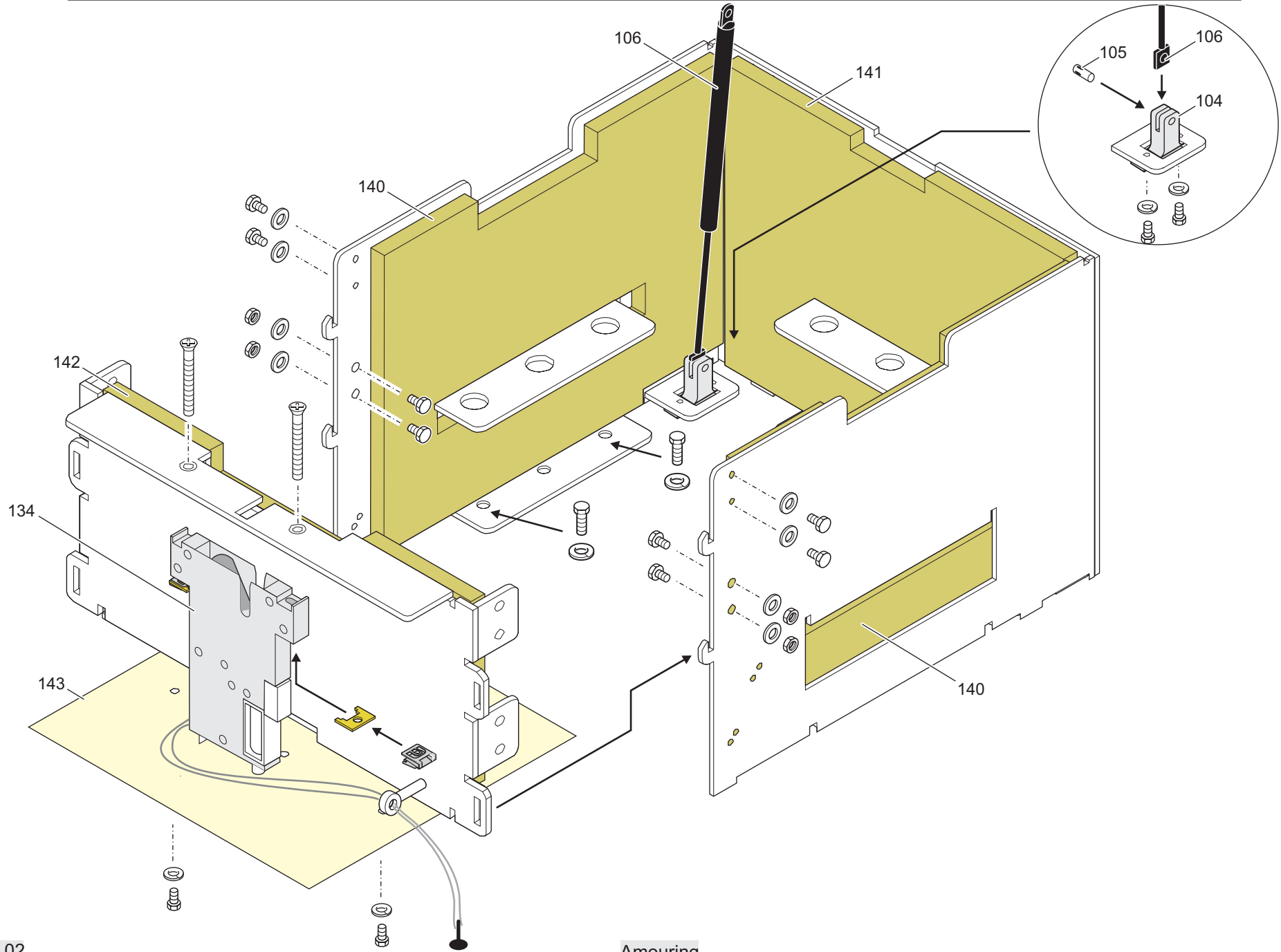
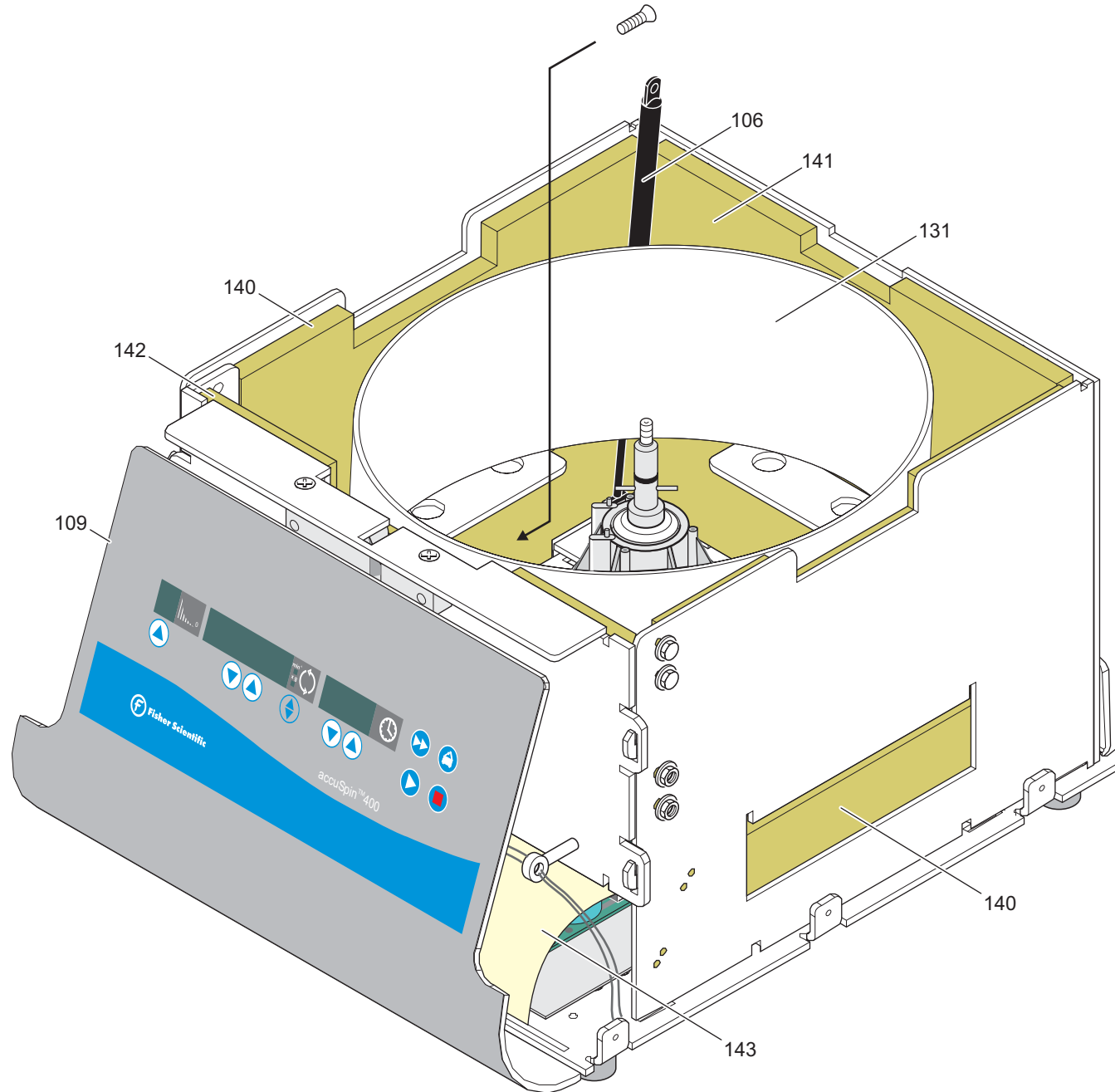


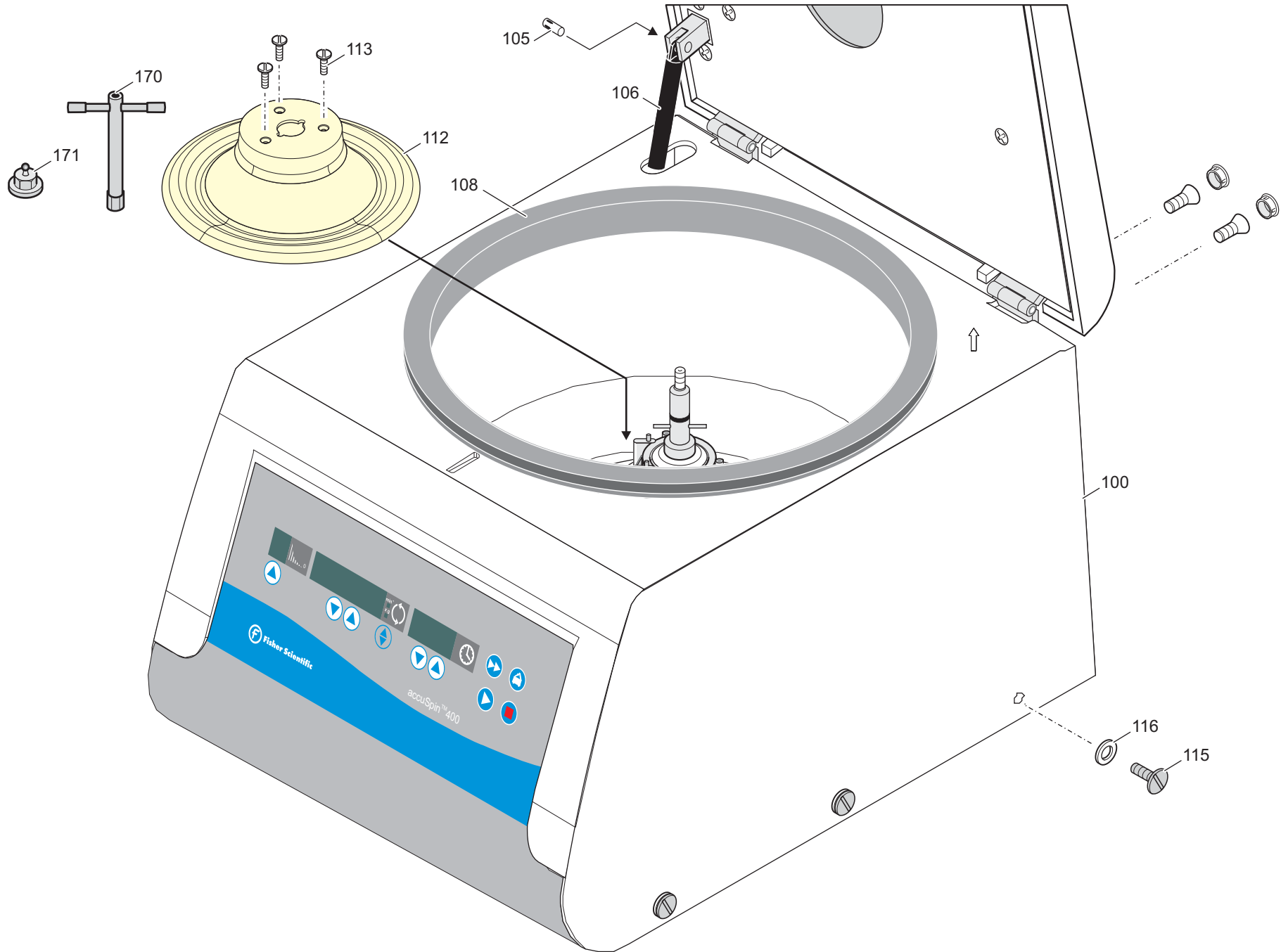
Mains choke (165) only for 230V 50Hz models

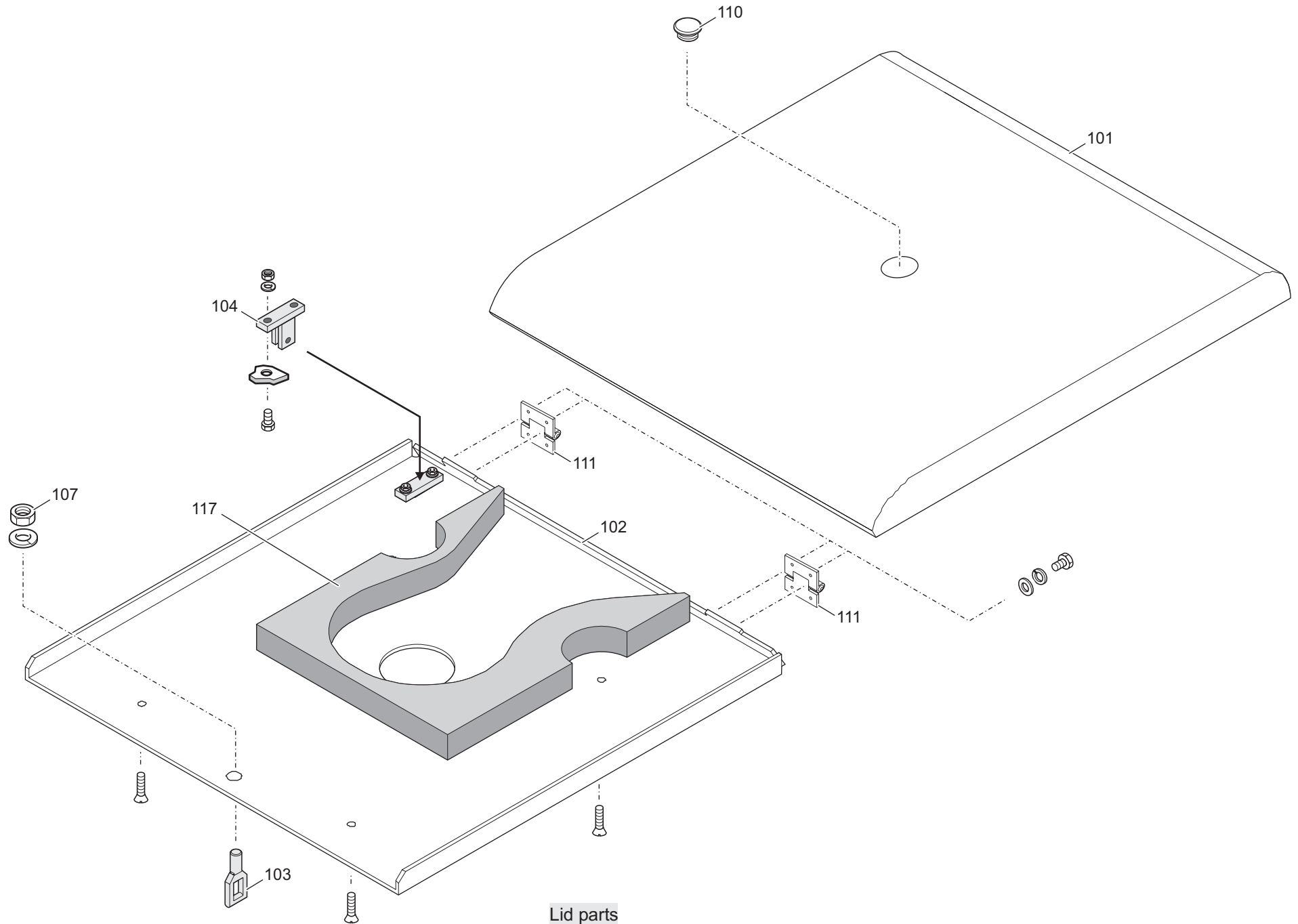
Bottom Plate











75005194 .01**FISHER ACCUSPIN 400 120V/60HZ**

from Serial-No.

to Serial-No.

Index	Partno.	Text
101	20056505	LID
102	70056507	INNER LID
103	20056527	LID HOOK
104	20023748	HINGE BRACKET
105	20490287	PIN
106	70902001	Parts f maintenance Biofuge Primo
107	20420151	NUT M10 X 1.25
108	20056506	SEAL
109	20058202	OVERLAY accuSpin 400
110	20050543	WINDOW
111	20056516	HINGE
112	20056508	MOTOR COVER
113	20460165	Head Screw
114	20056509	RUBBER BAFFLE
115	20460158	BOLT M4 X 12
116	20250074	WASHER
117	20056513	INLET
130	20210385	MOTOR
131	20056517	RING, STEAL
132	20180628	SOCKET
133	20190247	MAINSCABLE
134	70908552	LID LOCK
135	20160704	RESISTOR 220R 150W
139	20300078	FOOT
140	20056511	BAFFLE (LEFT AND RIGHT)
141	20056510	BAFFLE (BACKSIDE)
142	20056512	BAFFLE, FRONT
143	20056749	FOIL SEAL
150	20150241	Mainboard
151	70902573	NV RAM IMBALANCE
152	70904597	NV RAM accuspin 400
153	70902572	NV RAM PROFILES
154	20230211	FUSE 8 A, SLOW BLOWN
155	20150201	Speed and Imbalance recognition board
160	20151176	PCB Rotorrecognition
170	20360072	SPANNER 10 MM
171	70056208	NUT
180	70060553	Metal sheet

75005194 .01**FISHER ACCUSPIN 400 120V/60HZ**

from Serial-No.

to Serial-No.

Index**Partno.****Text**

181	20220547	BOLT, SPACER
182	20220426	SPACER