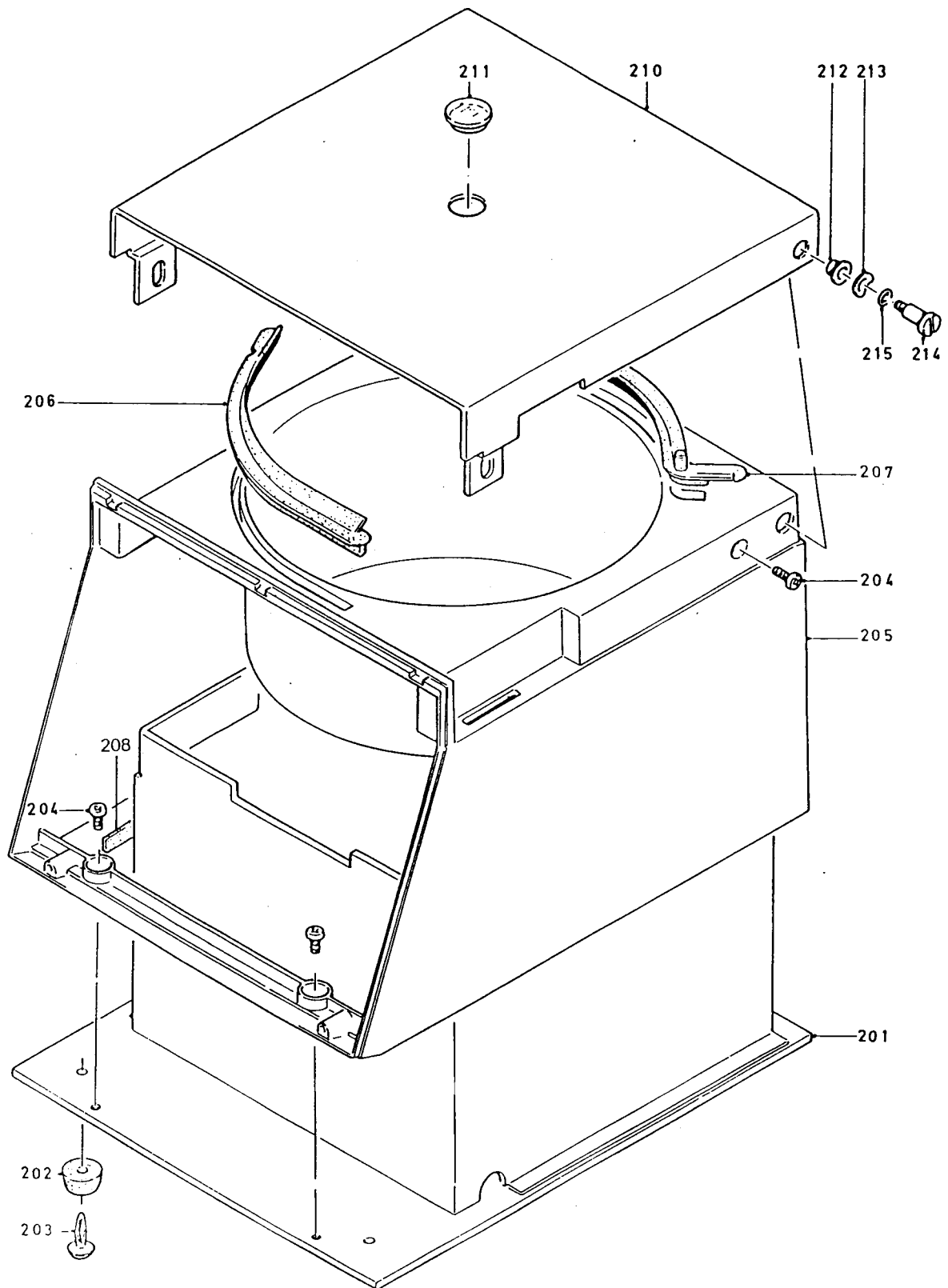


Edition: 01	Page: 23	BIOFUGE 15
Drwg #: SZ 1472A Page: 3 - 1	Explosion Drawings	
	Model: # 75003601	



Edition: 01

Page: 24

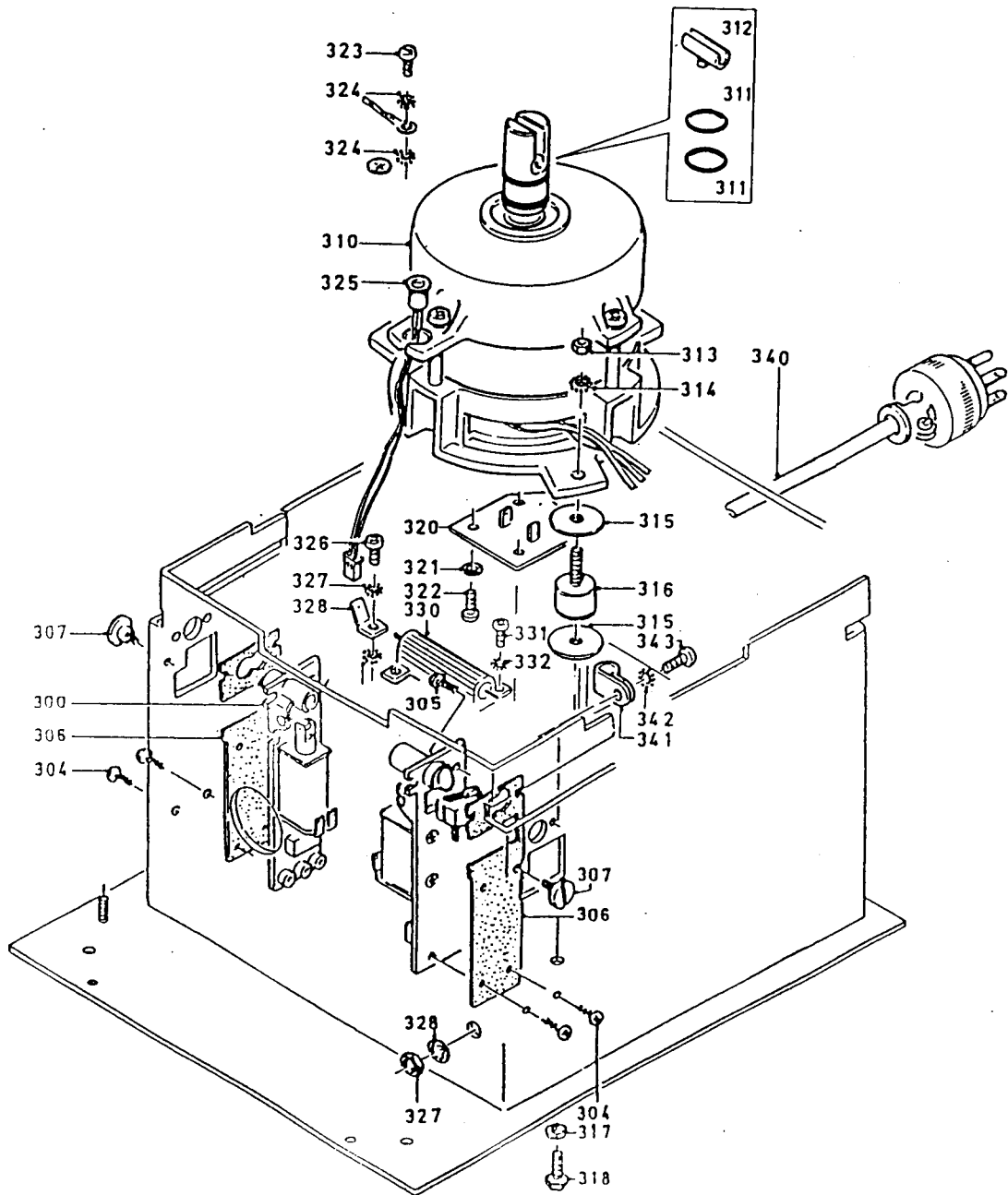
Drwg.#: SZ 1472A

Explosion Drawings

BIOFUGE 15

Page: 3 - 2

Model: # 75003601



Edition: 01	Page: 25	BIOFUGE 15
Drwg.#: SZ 1472A	Explosion Drawings	
Page: 3 - 3	Model: # 75003601	

Biofuge 15 #75003601/01			120V 60Hz		
Index	Description	Part Number	Index	Description	Part Number
101	Screw 3x14	20460133	326	Screw M4x8	20460094
102	Front Panel	20022599	327	Fan Washer A4.3	20480108
103	Key Foil	20055570	328	Earth Sticker	20220524
104	Wire Netting	20022616	330	Brake Resistor	70003607
105	Seal (foam rubber)	20290521	331	Screw M4x8	20460094
110	Control PCB	20150026	332	Fan Washer A4.3	20480108
111	Screw 3x8	20460137	340	Mains Cable	20190194
120	Main PCB	20150108	341	Grip 6.5	20220286
121	Processor	70000490	342	Fan Washer A4.3	20480108
122	Hex. Nut M4	20420076	343	Screw M4x8	20460094
123	Lock washer	20480244			
124	Fuse 6.25a slow	20230189		Revised 2/26/02	
125	Fuse 6.25a slow	20230189			
126	Spacer	20220428			
127	Fan Washer A4.3	20480108			
128	Screw,philips M4x10	20460095			
129	NV-Ram	70903600			
201	Bowl	70901031			
202	Foot	20049932			
203	Securing Plug	20310294			
204	Screw M5x8	20460088			
205	Housing	20020706			
206	Seal	20020712			
207	Seal	20020713			
208	Sealing	20290473			
210	Lid	70020803			
211	Window	20050543			
212	Collar	20350211			
213	Spring Washer	20480250			
214	Screw	70037565			
300	Lid Lock Assy.	70003621			
303	Screw 4x10	20460138			
305	Screw M4x8	20460094			
306	Basis Plate	20020774			
307	Screw	20022873			
310	Motor	20210277			
311	O-Ring	20290520			
312	Rubber Insert	20054901			
313	Nut M6	20420070			
314	Securing Washer	20480251			
315	Washer,sand	20480301			
316	Antivibration mount	20020732			
317	Securing Washer	20480251			
318	Screw M6x12	20430216			
320	Speed Control PCB	20150028			
321	Securing Washer	20480242			
322	Screw M3x6	20460098			
324	Fan Washer A4.3	20480108			
325	Imbalance Switch	70902542			

Bold = SPL Yes

Biofuge 15 # 75003604/02			120v 60Hz		
Index	Description	Part Number	Index	Description	Part Number
101	Screw 3x14	20460133	330	Brake Resistor	70003607
102	Front Panel	20022599	331	Screw M3x6	20460098
103	Key Foil	20022602	332	Fan Washer A3,2	20480159
104	Wire Netting	20022616	340	Mains Cable	20190194
105	Seal (foam rubber)	20290521	341	Grip 6.5	20220286
110	Control PCB	20150026	342	Fan Washer A4.3	20480108
111	Screw 3x8	20460137	343	Screw M4x8	20460094
120	Main PCB	20150108			
121	NV-Ram	70903600		Revised 2/22/02	
122	Processor	70000490			
124	Fuse 6.25a slow	20230189			
125	Fuse 6.25a slow	20230189			
126	Screw,philips M4x10	20460095			
127	Fan Washer A4.3	20480108			
128	Spacer	20220426			
201	Bowl	70901031			
202	Foot	20049932			
203	Securing Plug	20310294			
204	Screw M5x8	20460088			
205	Housing	20020706			
206	Seal	20020712			
207	Seal	20020713			
210	Lid	70020803			
211	Window	20050543			
212	Collar	20350211			
213	Spring Washer	20480250			
214	Screw	70037565			
300	Lid Lock Assy.	20003621			
303	Screw 4x10	20460138			
304	Screw 1.8x10	20460135			
305	Screw M4x8	20460094			
306	Basis Plate	20020774			
307	Screw	20022873			
310	Motor	20210277			
311	O-Ring	20290520			
312	Rubber Insert	20054901			
313	Nut M6	20420070			
314	Securing Washer	20480251			
315	Washer,sand	20480301			
316	Antivibration mount	20020732			
317	Securing Washer	20480251			
318	Screw M6x12	20430216			
320	Speed Control PCB	20150028			
321	Securing Washer	20480242			
322	Screw M3x6	20460098			
323	Screw M4x8	20460094			
324	Fan Washer A4.3	20480108			
325	Imbalance Switch	70902542			

Bold = SPL Yes

Biofuge 15 #75003619/01			120V 60Hz		
Index	Description	Part Number	Index	Description	Part Number
101	Screw 3x14	20460133	325	Imbalance Switch	70003608
102	Front Panel	20022599	326	Screw M4x8	20460094
103	Key Foil	20022612	327	Fan Washer A4.3	20480108
110	Control PCB	20150026	328	Earth Sticker	20220524
111	Screw 3x8	20460137	330	Brake Resistor	70003693
116	Wire Netting	20022615	331	Screw M4x8	20460094
117	Wire Netting	20022616	332	Fan Washer A4.3	20480108
120	Main PCB	20150108	340	Mains Cable	20190194
121	Processor	70000490	341	Grip 6.5	20220286
122	Hex. Nut M4	20420076	342	Fan Washer A4.3	20480108
123	Lock washer	20480244	343	Screw M4x8	20460094
124	Fuse 6.25a slow	20230189		NV-Ram	70903600
125	Fuse 6.25a slow	20230189			
126	Spacer	20220426		Revised 2/27/02	
127	Fan Washer A4.3	20480108			
128	Screw,philips M4x10	20460095			
131	Screw M4x8	20460094			
132	Fan Washer A4.3	20480108			
133	Angle	20020751			
134	Insulation Foil	20020771			
201	Bowl	70901031			
202	Foot	20049932			
203	Securing Plug	20310294			
204	Screw M5x8	20460088			
205	Housing	20020706			
206	Seal	20020712			
207	Seal	20020713			
210	Lid	70020803			
211	Window	20050543			
212	Collar	20350211			
213	Spring Washer	20480250			
214	Screw M6x20	20510255			
300	Lid Lock Assy.	20003621			
301	Solenoid	20110298			
302	Microswitch	20180557			
303	Screw 4x10	20460138			
305	Screw M4x8	20460094			
310	Motor	20210277			
311	O-Ring	20290520			
313	Nut M6	20420070			
314	Fan Washer	20480168			
315	Washer,sand	20480301			
316	Antivibration mount	20020732			
317	Fan Washer	20480168			
318	Screw M6x12	20430216			
320	Speed Control PCB	20150028			
321	Securing Washer	20480242			
322	Screw M3x6	20460098			
324	Fan Washer A4.3	20480108			

Bold = SPL Yes