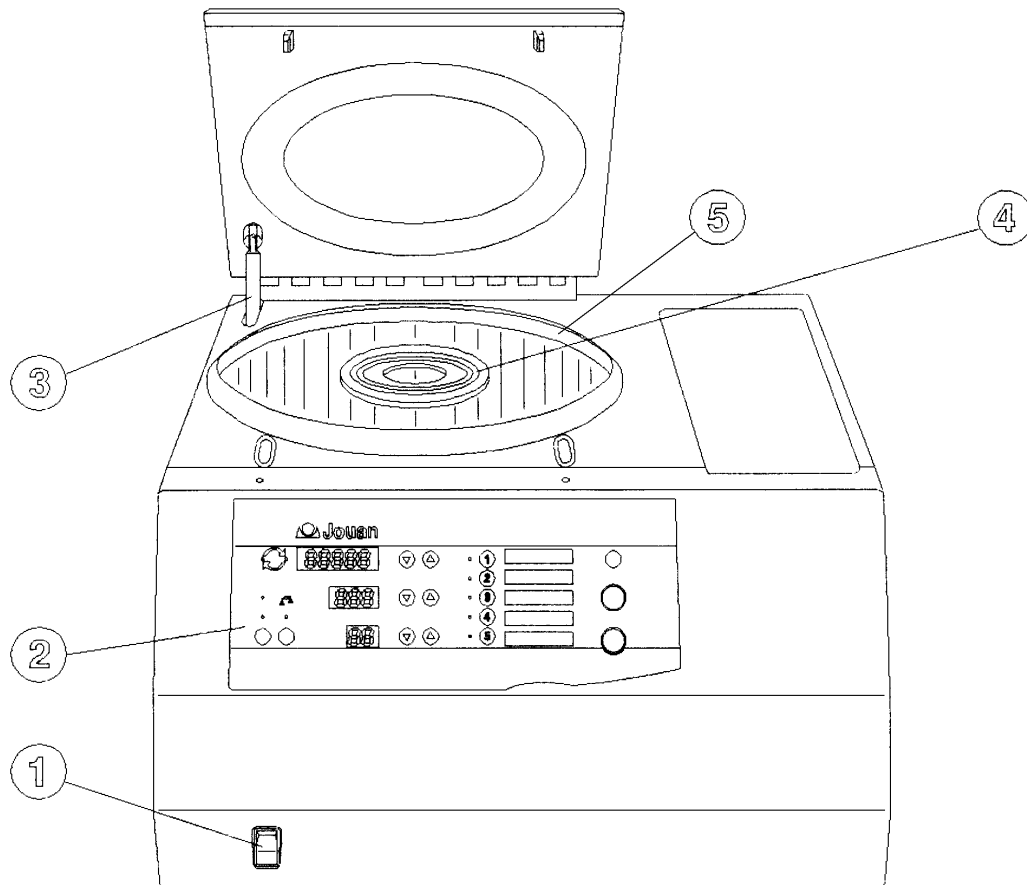


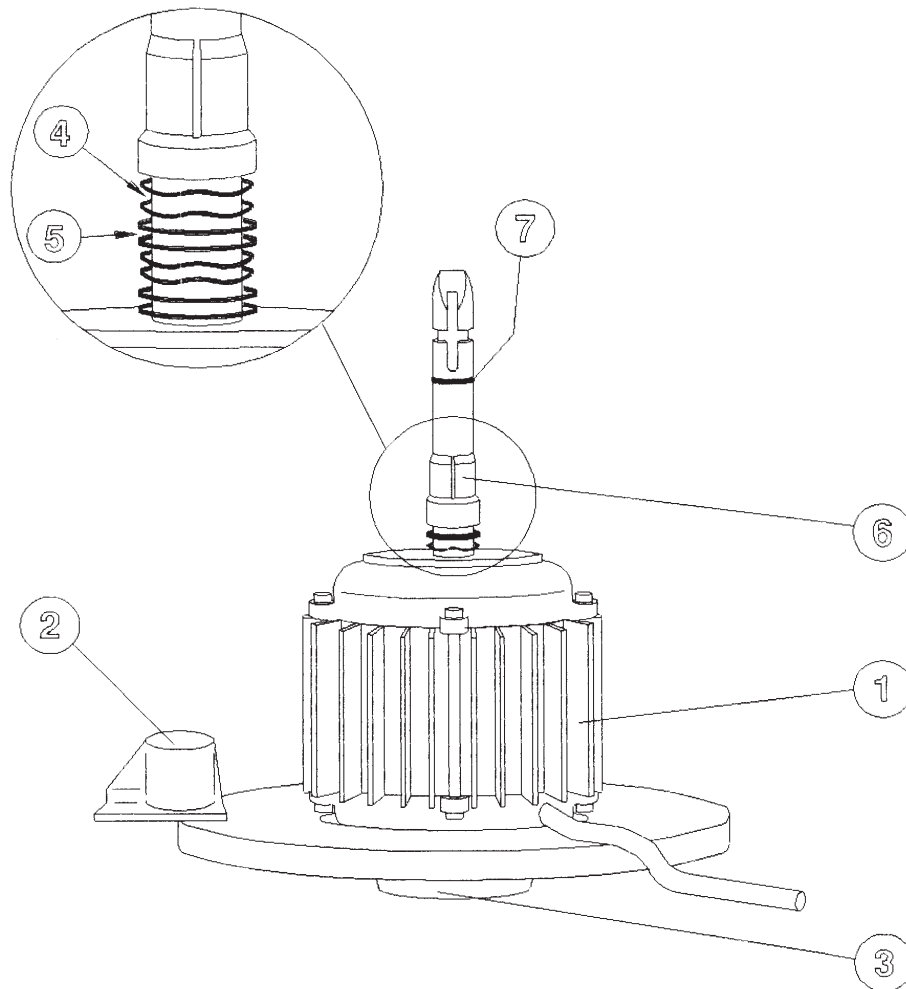
## 6 SPARE PARTS - DIAGRAMS

### 6.1. GENERAL



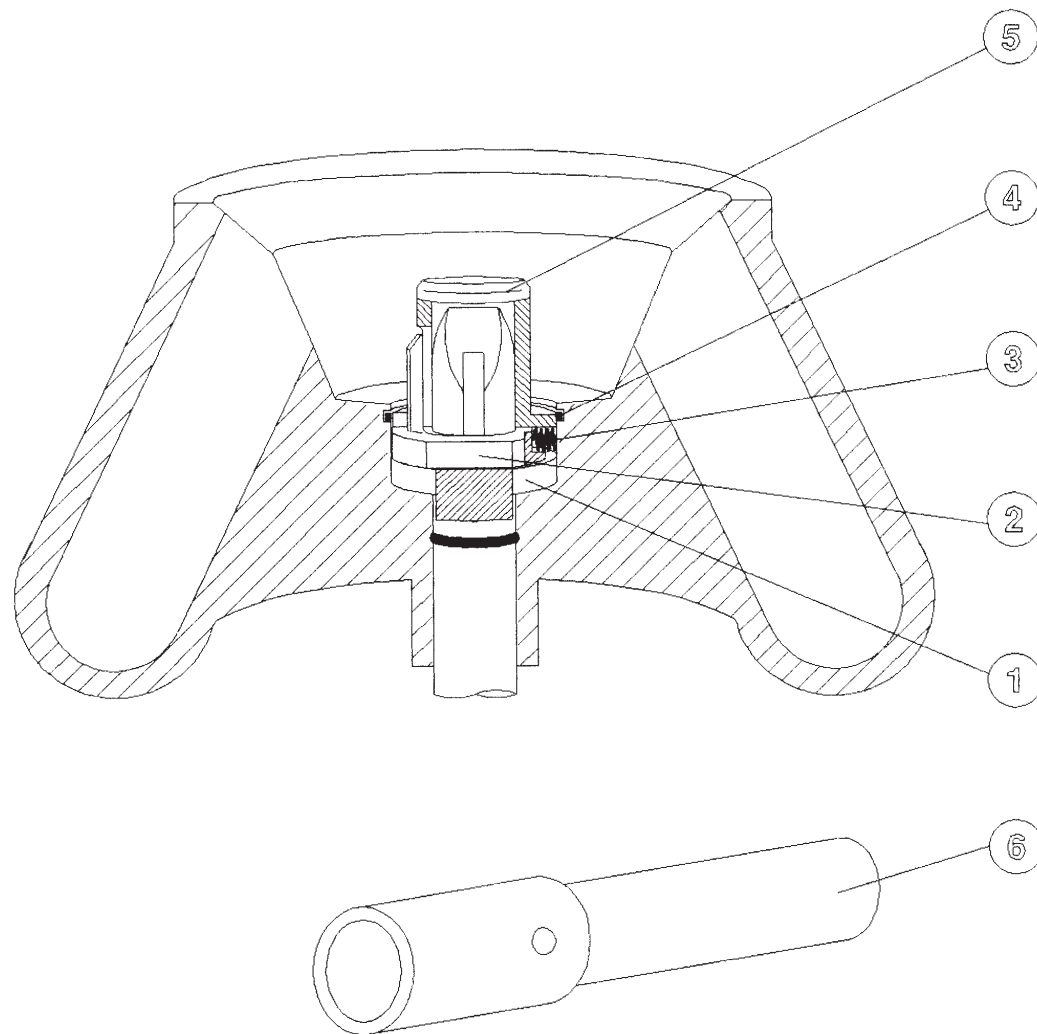
| Item | C3i Cat. N° | CR3i Cat. N° | Description             | Qty |
|------|-------------|--------------|-------------------------|-----|
| 1    | 89000838    | 86001434     | Power switch            | 1   |
| 2    | 85220838    | 85220761     | Keyboard                | 1   |
| 3    | 26962012    | 26962012     | Gas spring              | 1   |
| 4    | 89000839    | 89000839     | Motor chamber/bowl seal | 1   |
| 5    | 89000943    | 89000943     | Lid/bowl seal           | 1   |
| -    | 89002923    | 89002923     | Main PCB - 120V         | 1   |
| -    | 89002922    | 89002922     | Main PCB - 220V         | 1   |
| -    | 85280514    | 85280514     | Display PCB             | 1   |

## 6.2. MOTOR



| Item | C3i Cat. N° | CR3i Cat. N° | Description                        | Qty |
|------|-------------|--------------|------------------------------------|-----|
| 1    | 89000836    | 89000836     | Motor                              | 1   |
| 2    | 89000843    | 89000843     | Load imbalance sensor              | 1   |
| 3    | 89002795    | 89002795     | Motor Mount + Tachometer Sensor    | 1   |
| 4    | 89000851    | 89000851     | Spring washers                     | 4   |
| 5    | 89000850    | 89000850     | Washers                            | 4   |
| 6    | 89000849    | 89000849     | Motor shaft clamp                  | 1   |
| 7    | 89000852    | 89000852     | O-Ring                             | 1   |
| -    | 89002795    | 89002795     | Tachometer Sensor with Motor Mount | 1   |

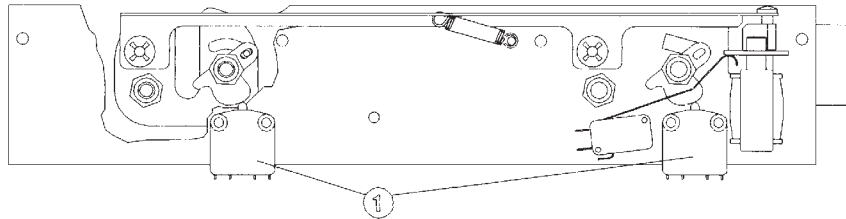
### 6.3. AUTO-LOCK SYSTEM



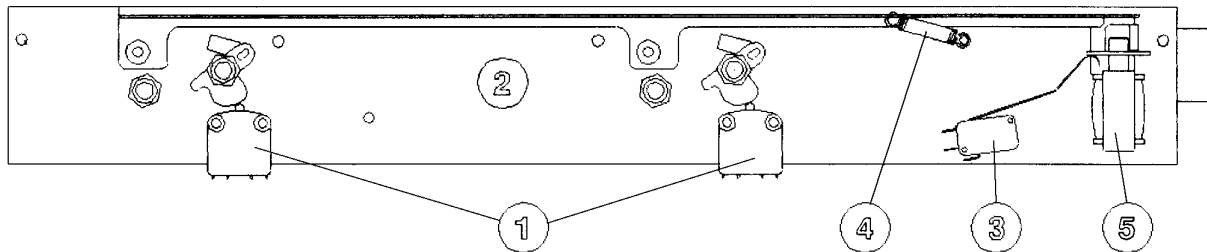
| Item | C3i Cat. N° | CR3i Cat. N° | Description                         | Qty |
|------|-------------|--------------|-------------------------------------|-----|
| 1    | 89002451    | 89002451     | Guide collar                        | 1   |
| 2    | 85230757    | 85230757     | Latch                               | 1   |
| 3    | 86001482    | 86001482     | Spring                              | 1   |
| 4    | 86001600    | 86001600     | Circlip                             | 1   |
| 5    | 85180286    | 85180286     | Latch guide                         | 1   |
| 6    | 89002391    | 89002391     | Rotating equipment unlocking device | 1   |

## 6.4. LOCK

### C3i lid lock



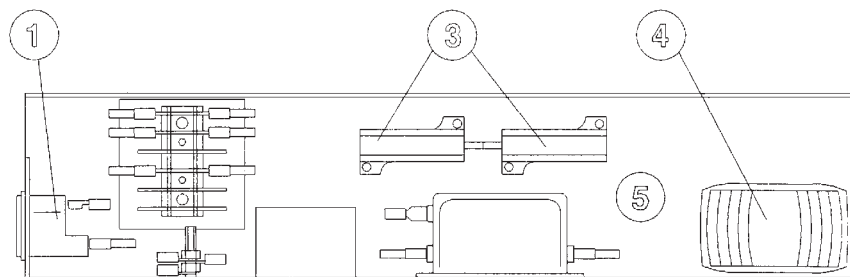
### CR3i lid lock



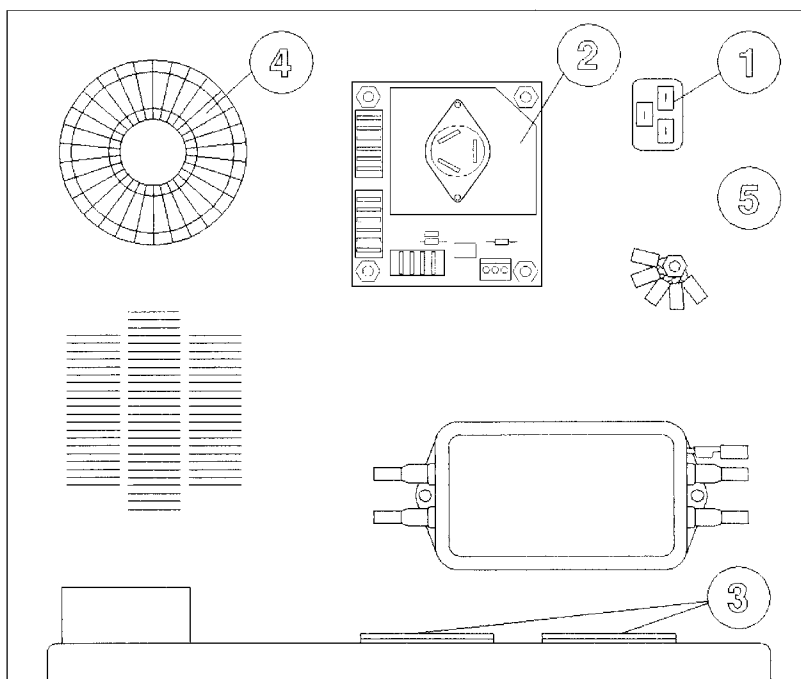
| Item | C3i Cat. N° | CR3i Cat. N° | Description  | Qty |
|------|-------------|--------------|--|-----|
| 1    | 86001406    | 86001406     | Lid microswitch  | 2   |
| 2    | 11202913    | 11202914     | Locking Assembly - Complete                            | 1   |
| 3    | 89000845    | 89000845     | Solenoid switch - Microswitch (old style)              | 1   |
|      | 39900043    | 39900043     | Solenoid switch - Reed Relay (new style)               | 1   |
| 4    | 89000846    | 89000846     | Locking system spring                                  | 1   |
| 5    | 11250002    | 11250002     | Lid Solenoid - older version w/thick washer on plunger | 1   |
|      | 85140275    | 85140275     | Lid solenoid - newer version w/magnet on the plunger   | 1   |

## 6.5. FEEDER GROUP

### C3i feeder group

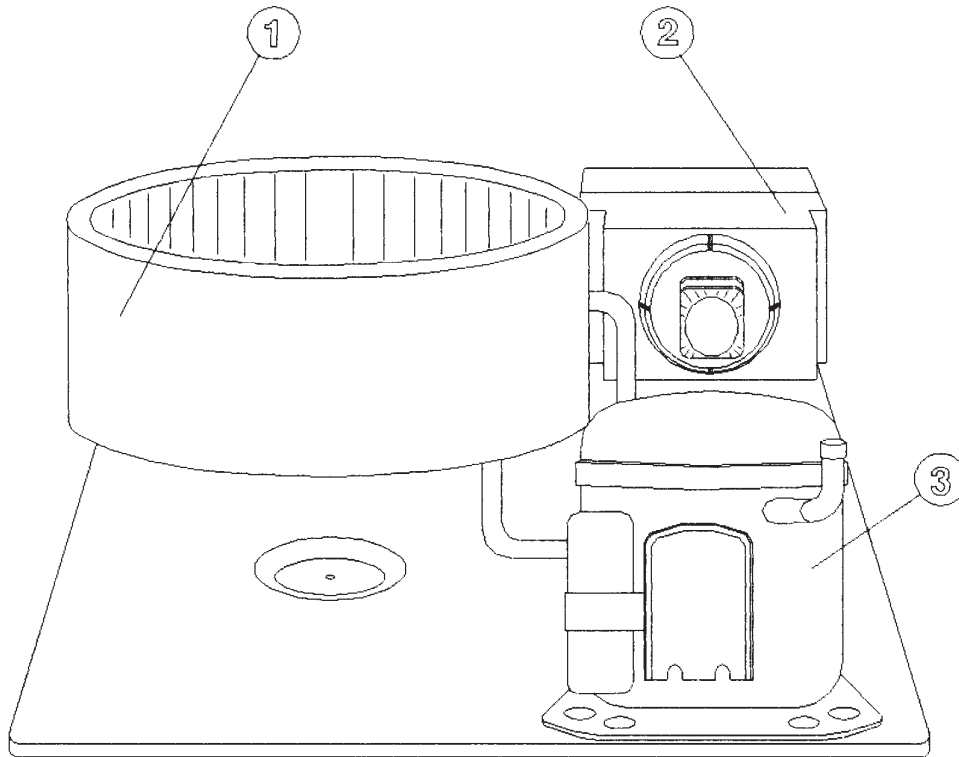


### CR3i feeder group



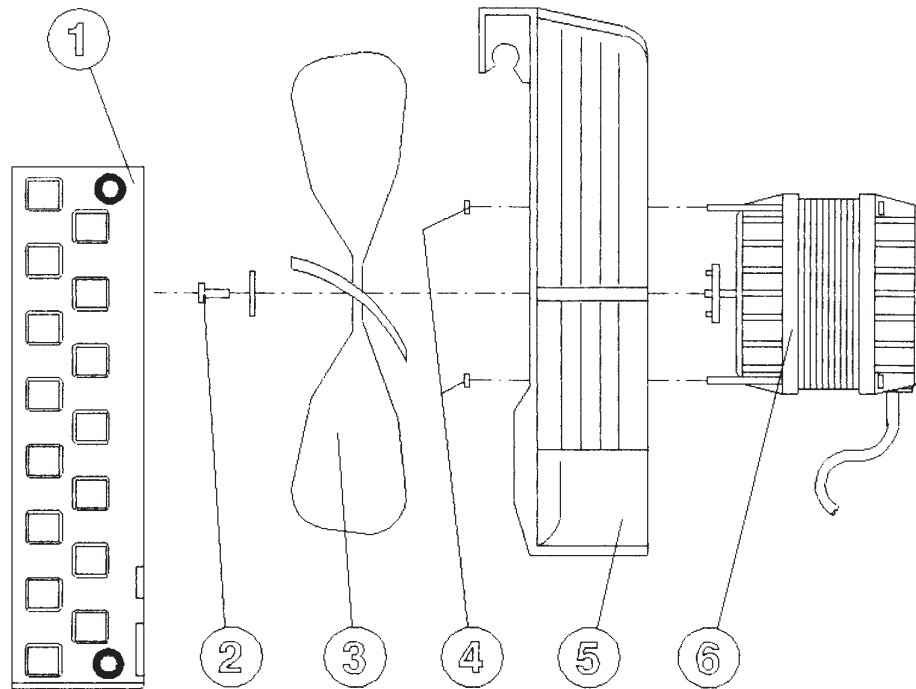
| Item | C3i Cat. N° | CR3i Cat. N° | Description                  | Qty |
|------|-------------|--------------|------------------------------|-----|
| 1    | 26660006    | 26660006     | Mains connector              | 1   |
| 2    | -           | 86003251     | Compressor p.c.b.            | 1   |
| 3    | 86003247    | 86003247     | Braking resistor             | 2   |
| 4    | 89000837    | 89000837     | Transformer                  | 1   |
| 5    | 11202936    | 11202934     | Complete Power Rack Assembly | 1   |

## 6.6. REFRIGERATION GROUP (CR3i)



| Item | C3i Cat. N° | CR3i Cat. N° | Description                                    | Qty |
|------|-------------|--------------|--|-----|
| 1    | -           | 89000902     | Bowl assembly                                  | 1   |
| 2    | -           | 89000903     | Condenser group assembly 230 V - 50 Hz         | 1   |
| 2    | -           | 89000904     | Condenser group assembly 120 V - 60 Hz         | 1   |
| 3    | -           | 86001358     | Compressor 230V - 50Hz                         | 1   |
| 3    | -           | 11201555     | Compressor, Danfoss 120V - Prior to March 1999 | 1   |
| 3    | -           | 81000881     | Compressor, Techumseh 120V                     | 1   |

## 6.7. CONDENSER GROUP (CR3i)



| Item | C3i Cat. N° | CR3i Cat. N° | Description  | Qty |
|------|-------------|--------------|--|-----|
| 1    | -           | -N/A-        | <b>Condenser - Only sold as Complete Condensing Unit</b> | 1   |
| 2    | -           | -N/A-        | Screw  | 1   |
| 3    | -           | 89000909     | Fan blades   | 1   |
| 4    | -           | -N/A-        | Motor nuts   | 1   |
| 5    | -           | 89000911     | Carter fan blades and motor                              | 1   |
| 6    | -           | 26960023     | Motor 230 V - 50 Hz                                      | 1   |
| 6    | -           | 89000913     | Motor 120 V - 60 Hz                                      | 1   |
| -    | -           | 81001331     | <b>Condensing Unit</b>                                   | 1   |