

## EBA 200 IPB (1800-01)

<b>Item</b>	<b>Part number</b>	<b>Comment</b>
1	E3813	all parts associated with the lid
1.1	E3746	inner metal lid (lining)
1.2	E3748	lid hook
1.3	E3745	white plastic lid
1.4	E1323	sight glass
2	E3747	Lid spring
3	E3811	foot ass'y.
4	E3749	housing w/Control Panel & cover foil/film
4.1	E3751	housing (no cover foil/film for CP)
4.2	E3788	cover foil/film for CP
4.3	E3824	CP electronics
5	E3772	Bowl seal
6	E3732	Centrifuge chamber
7	E3733	motorized lid lock ass'y.
8	E3815	motor cover
9	E3304	motor
9.1	n/a	n/a for EBA 200
10	E3307	speed sensor
11	E3786	magnet holder for imbalance sensing
12	E3810	motor mounts
13	E604	lower anti-twist device
14	E2648	upper anti-twist device
15	E3329	Appliance plug with switch, no fuse holder
16	E3330	fuse holder for appliance plug with switch
17	E997	3.15 amp fuse, 5 x 20 mm (need 2 pieces)
18	E3826	Main PCB for EBA 200 (Not for 200S Models)
19	52033	Frequency Converter, EBA 200S
20	n/a	n/a for EBA 200

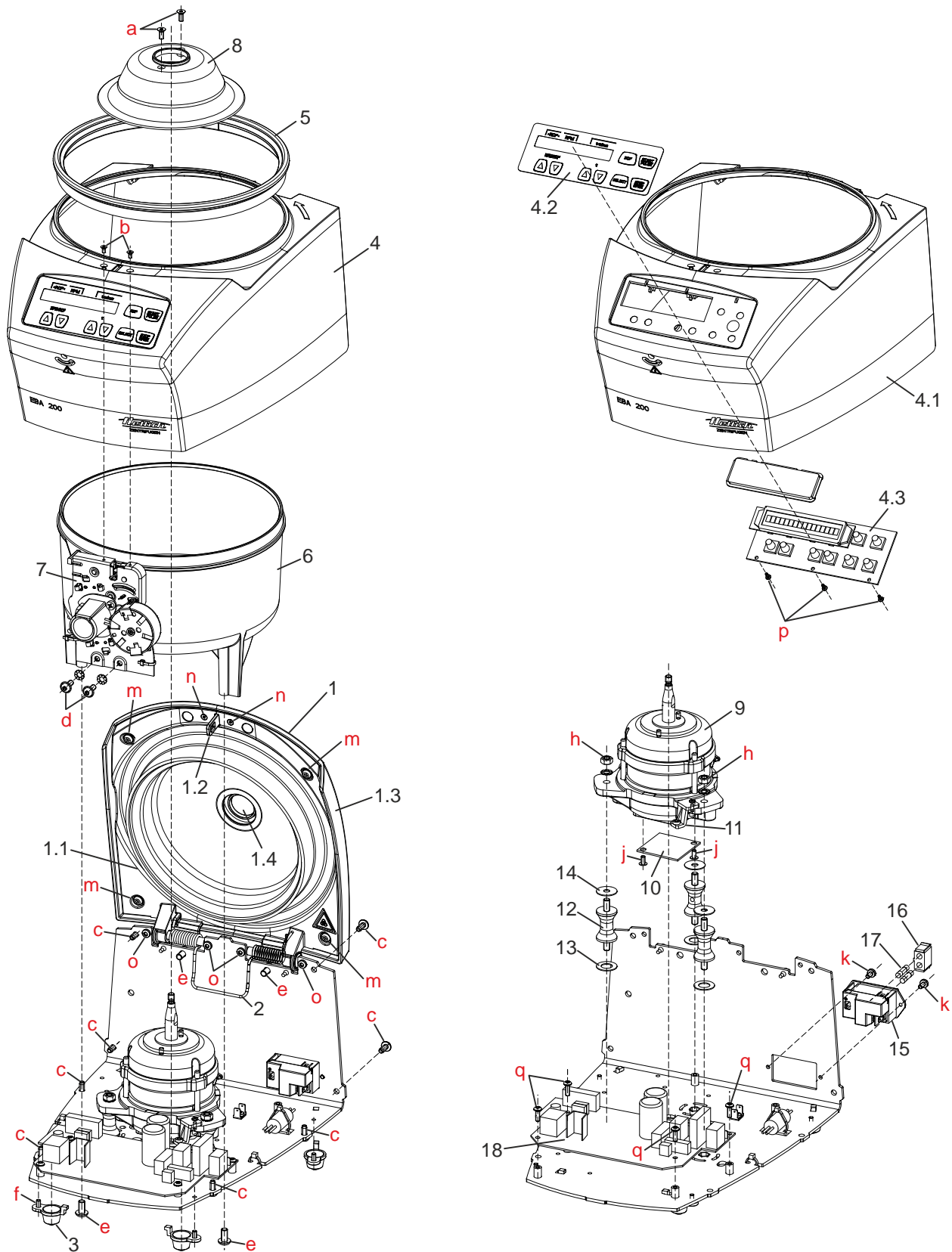


Fig. 1 EBA 200

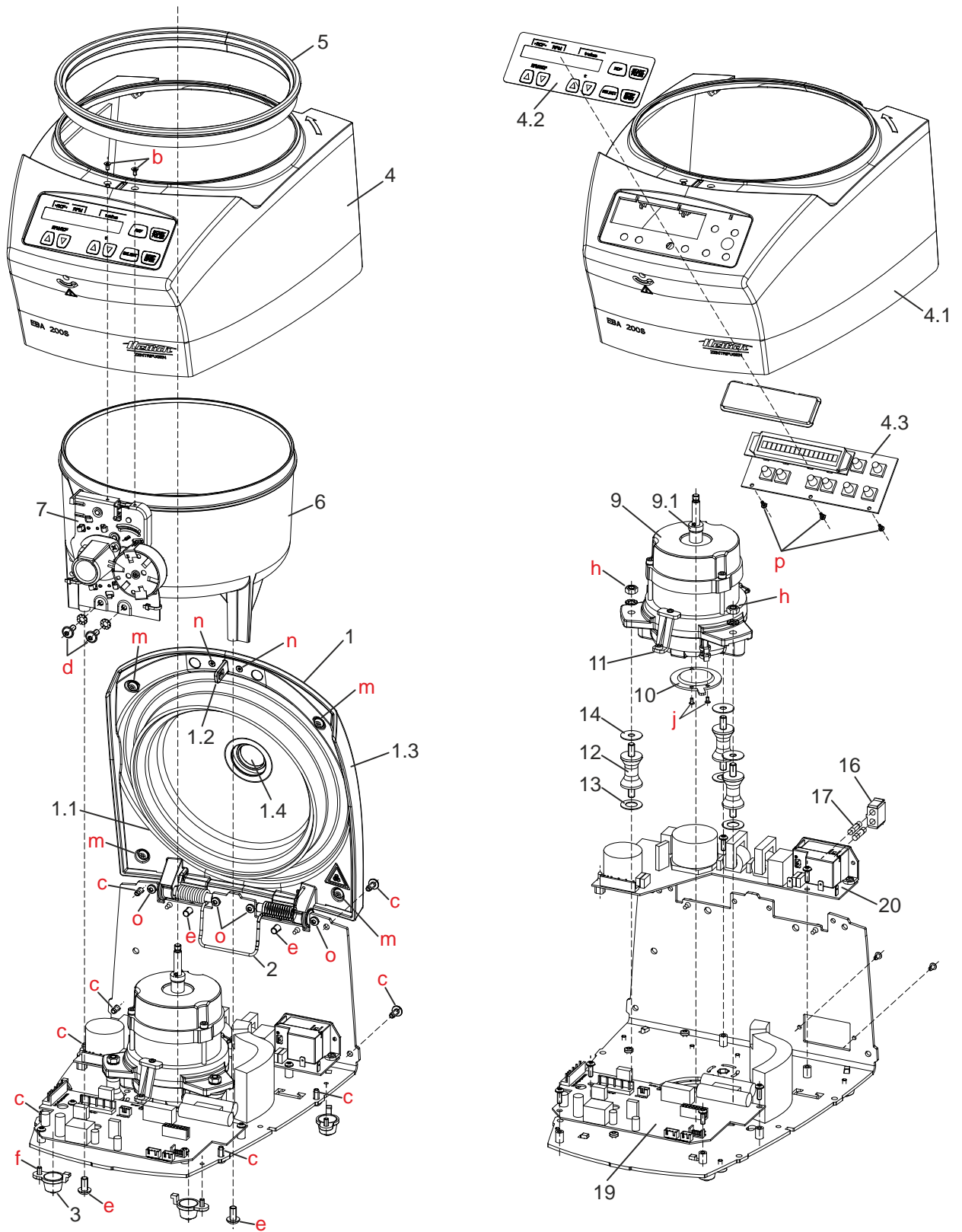


Fig. 2 EBA 200 S