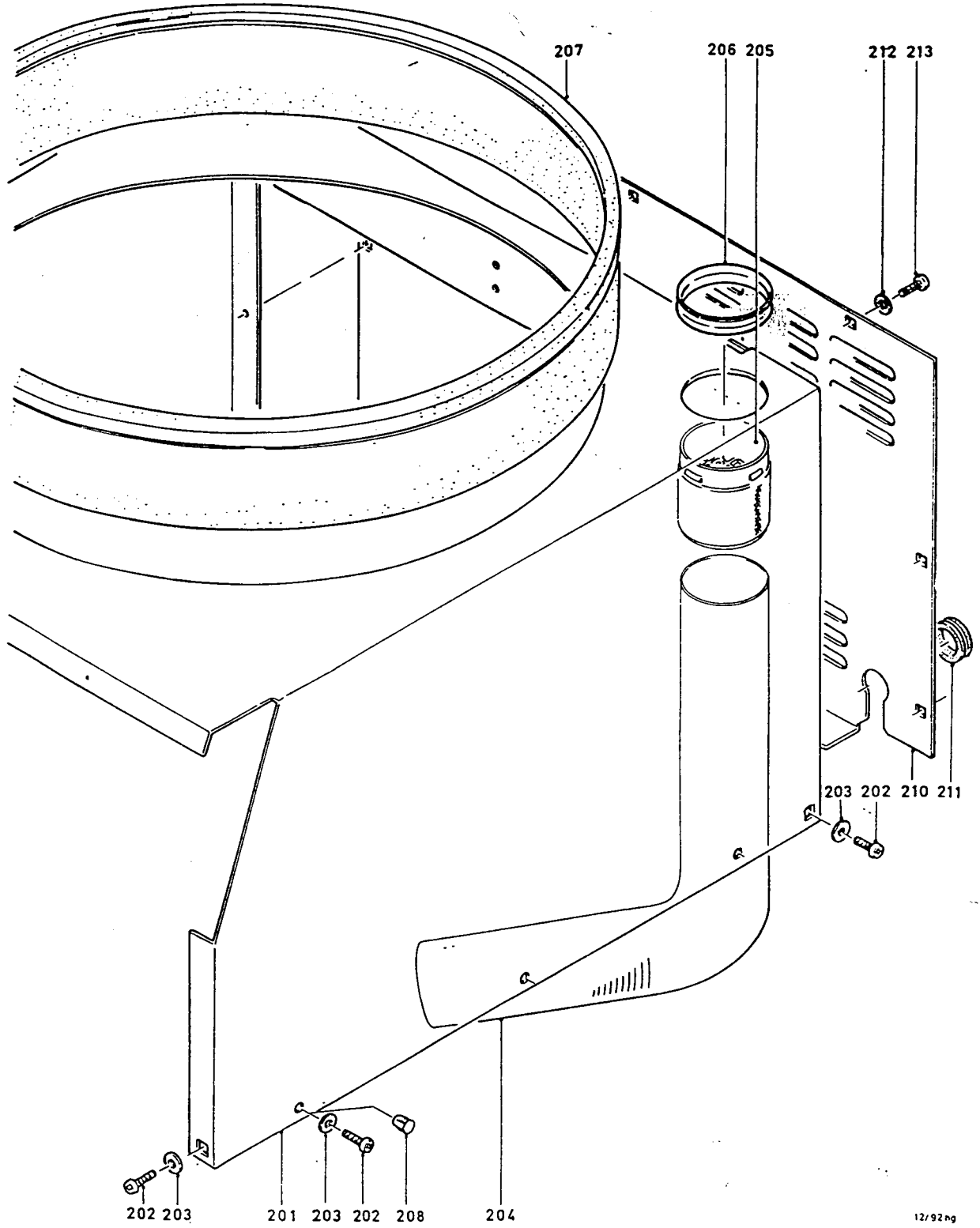


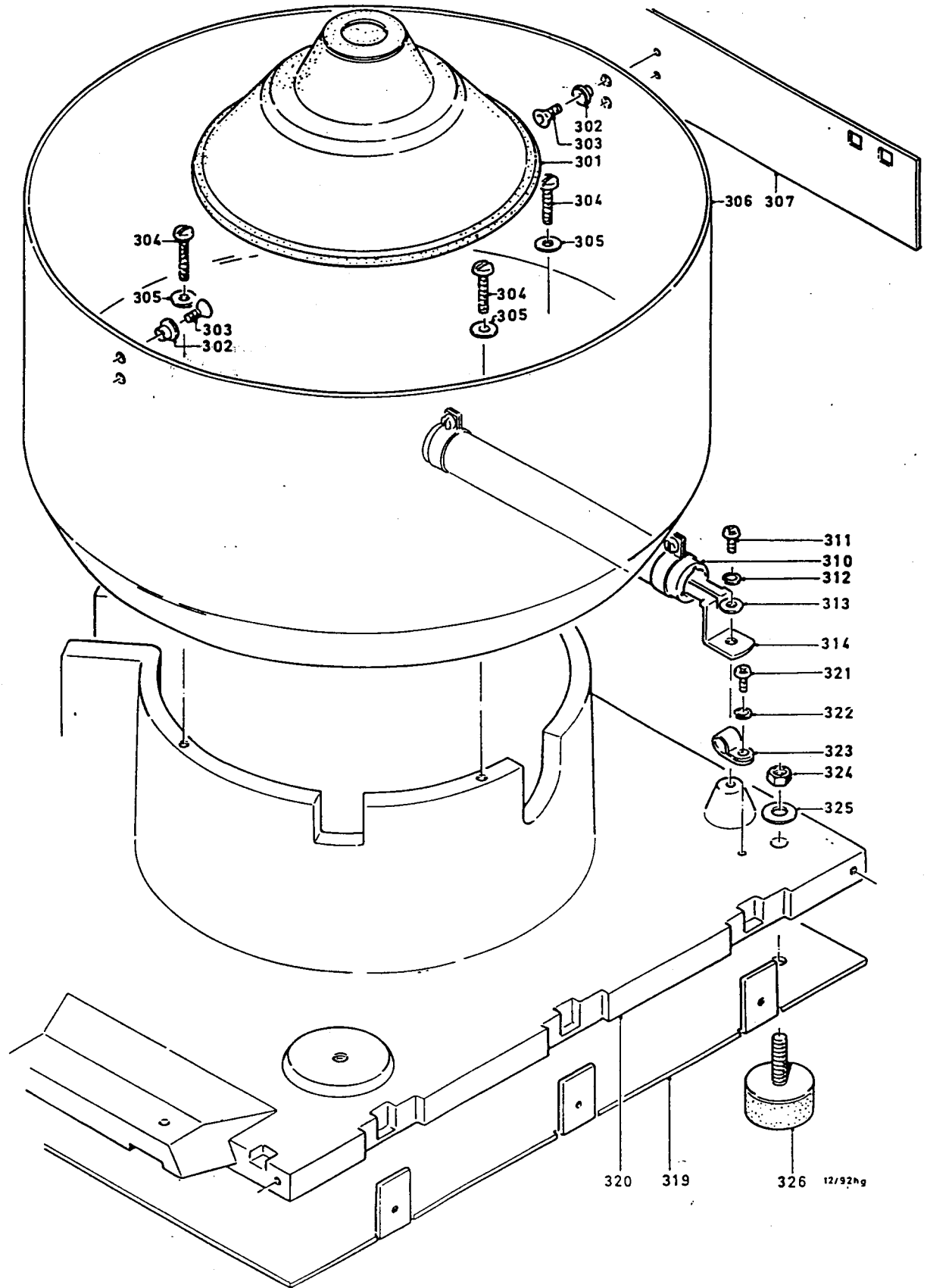
03/91 hg

|                 |                    |              |                   |
|-----------------|--------------------|--------------|-------------------|
| Edition: 01     | Section/Page 6-1   | Megafuge 1.0 |                   |
| Drwg.#:SZ 1178E | Break down drawing |              |                   |
| Page: 6-1       | Model.: 03490      | Parts list:  | Date: 03/91 RM/Rö |

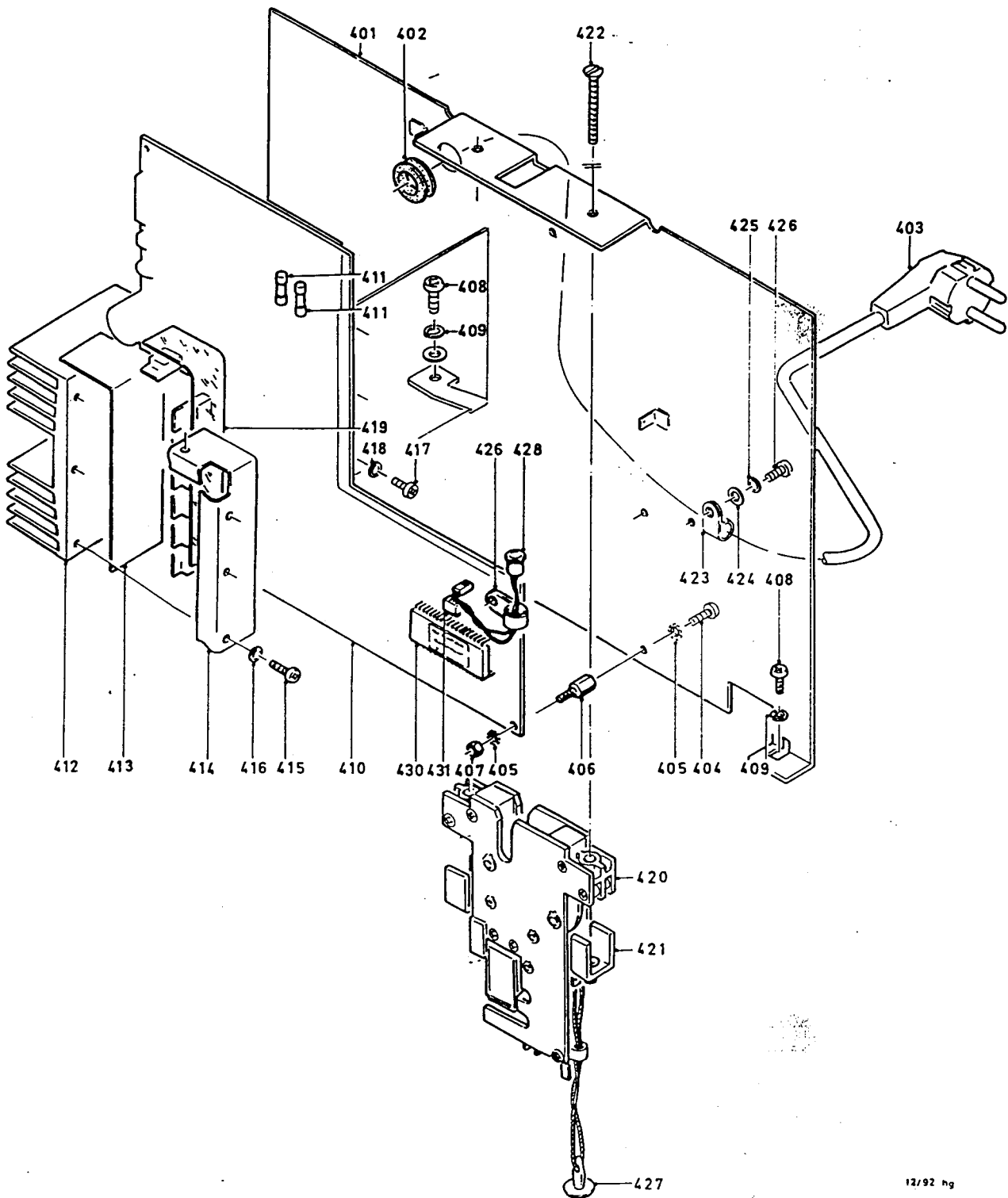


12/92hg

|                                   |  |                  |
|-----------------------------------|--|------------------|
| Edition: 02                       | Section/Page 6-2   | MEGAFUGE 1.0/2.0 |
| Drwg.#:<br>SZ-1178/E<br>Page: 6-2 | Break down drawing<br>Model : 03490 / 03482<br>Date: 12/92 RM/Rö |                  |



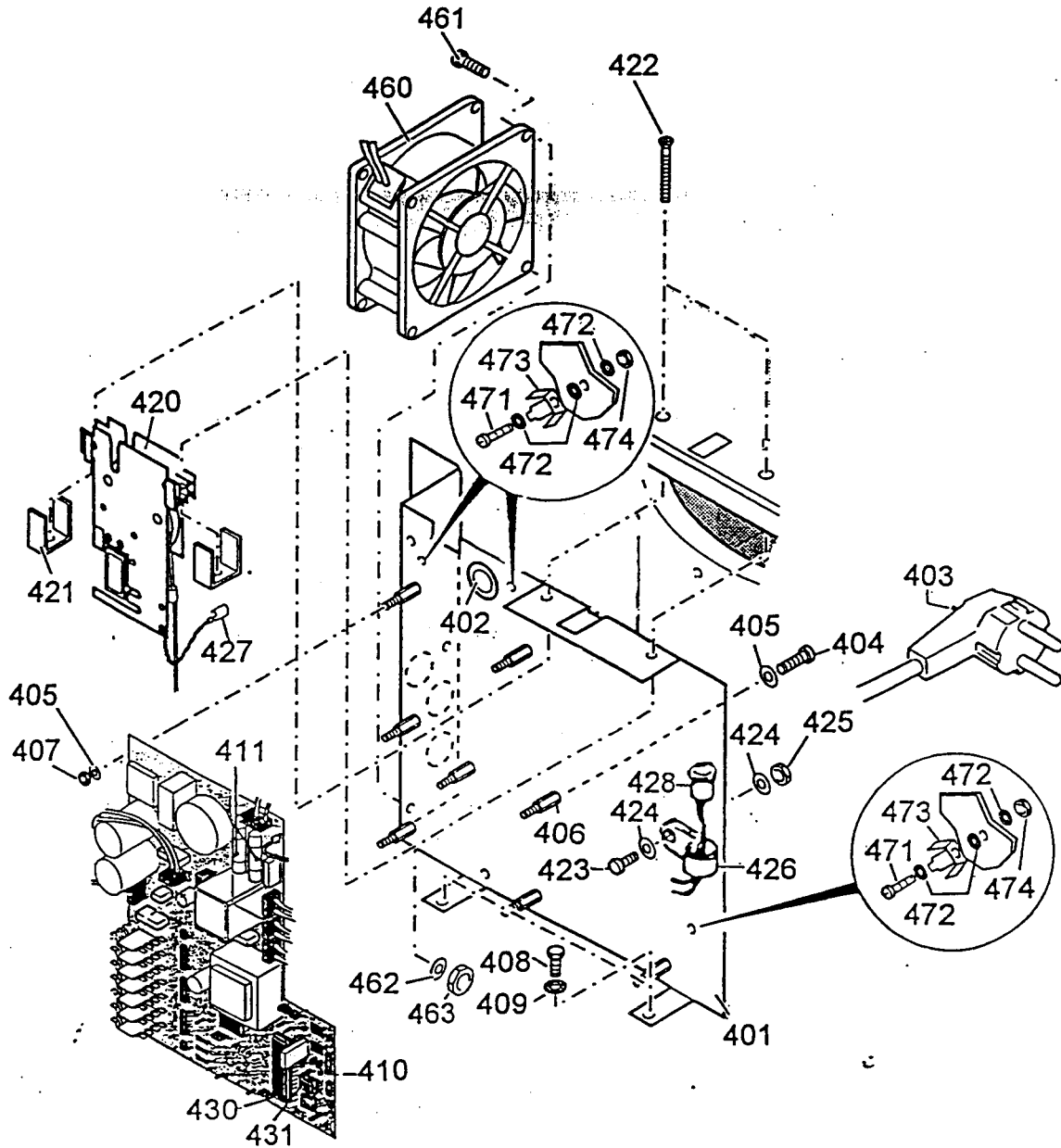
|                                   |   |                   |
|-----------------------------------|---|-------------------|
| Edition: 02                       | Section/Page 6-3                            | MEGAFUGE 1.0/2.0  |
| Drwg.#:<br>SZ-1178/E<br>Page: 6-3 | Break down drawing<br>Model : 03490 / 03482 | Date: 12/92 RM/Rö |



12/92 hg

|                                   |                       |                   |
|-----------------------------------|-----------------------|-------------------|
| Edition: 02                       | Section/Page 6-4      | MEGAFUGE 1.0/2.0  |
| Drwg.#:<br>SZ-1178/E<br>Page: 6-4 | Break down drawing    |                   |
|                                   | Model : 03490 / 03482 | Date: 12/92 RM/RÖ |

is valid for main board Cat. No. 20150089



Edition: 03

Page: 6 - 4a

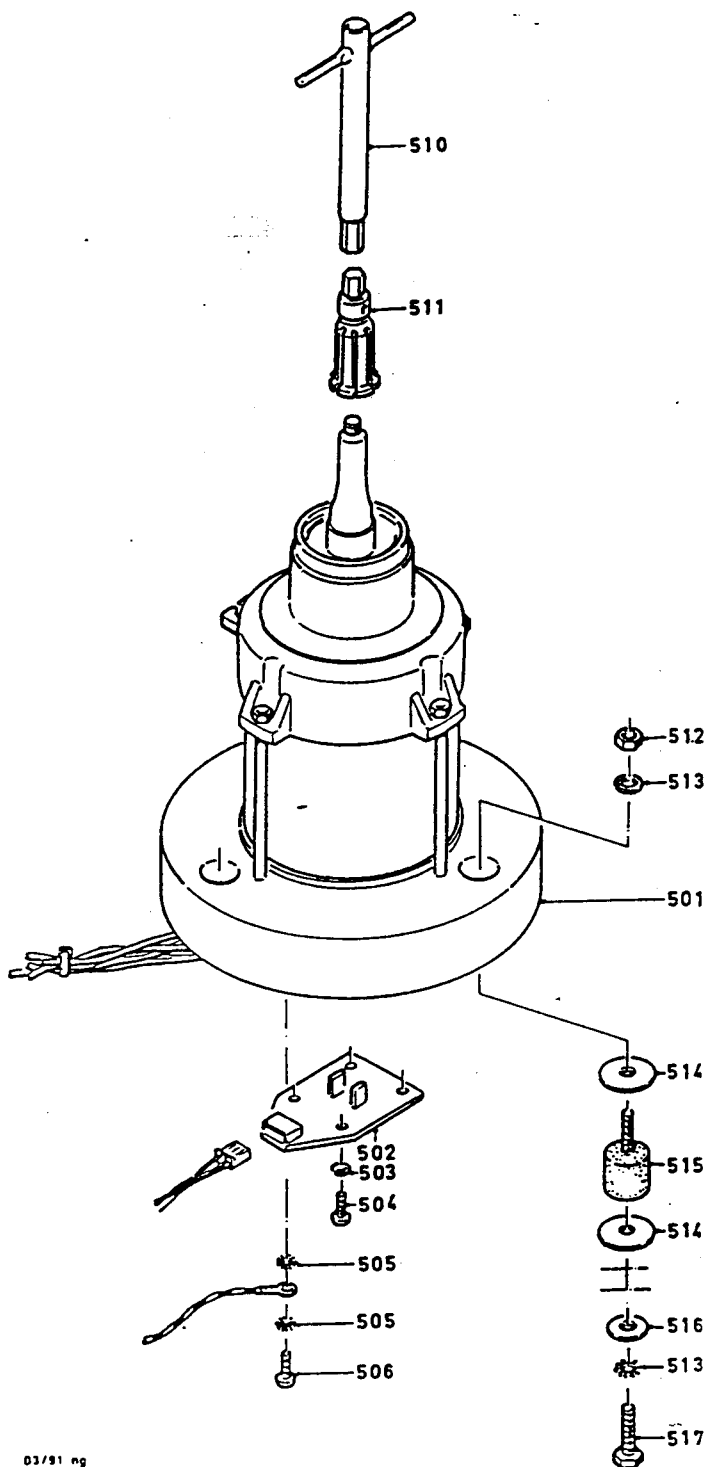
MEGAFUGE 1.0 / 2.0

Drwg.#: SZ - 1178/E

Explosion Drawing

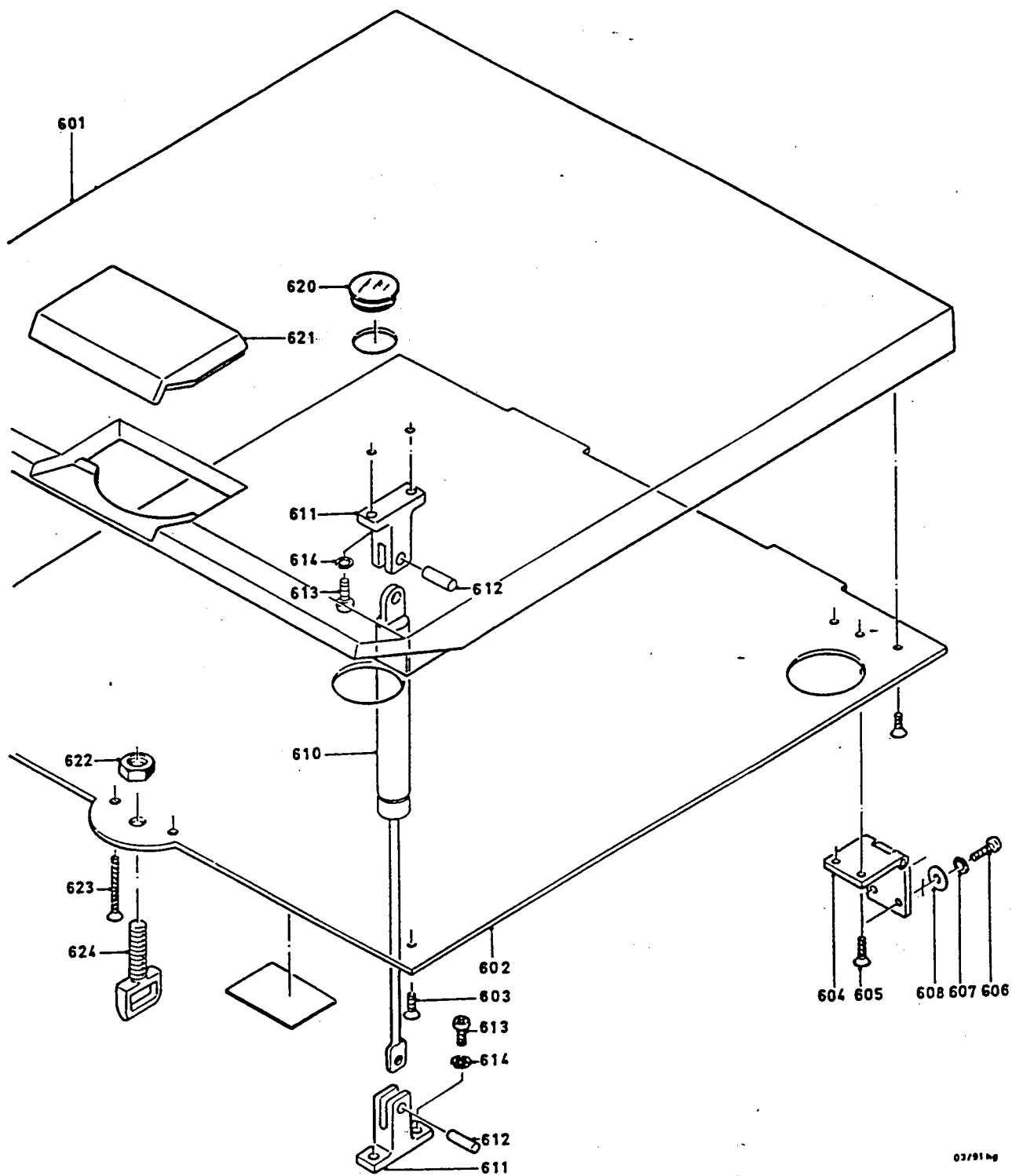
Page: 6 - 4

Model: # 3490 / 3482



03/91 ng

|                 |                    |             |                   |
|-----------------|--------------------|-------------|-------------------|
| Edition: 01     | Section/Page 6-5   |             | Megafuge 1.0      |
| Drwg.#:SZ 1178E | Break down drawing |             |                   |
| Page: 6-5       | Model : 03490      | Parts list: | Date: 03/91 RM/Rö |



03/91 hg

|                 |                    |                   |
|-----------------|--------------------|-------------------|
| Edition: 01     | Section/Page 6-6   | Megafuge 1.0      |
| Drwg.#:SZ 1178E | Break down drawing |                   |
| Page: 6-6       | Model : 03490      | Parts list:       |
|                 |                    | Date: 03/91 RM/RÖ |

# Spare-Part-List

Kendro Laboratory Products  
Plant Osterode

12003484-02

MEGAFUGE 2.0 120V 60 Hz BAXTER

from Serial-No.: 210905

to Serial-No.:

| Index | Part.No. | Text                  |
|-------|----------|-----------------------|
| 00101 | 70054036 | COVER                 |
| 00102 | 20054828 | FOIL                  |
| 00103 | 20510056 | SCREW M4X20           |
| 00104 | 20480130 | WASHER 4,3            |
| 00105 | 20460094 | SCREW M 4 X 8         |
| 00110 | 20150026 | CONTROL BOARD         |
| 00111 | 20480242 | SECURING WASHER       |
| 00112 | 20460098 | SCREW M 3 X 6         |
| 00201 | 70055368 | HOUSING               |
| 00202 | 20460095 | SCREW PHILIPS M4 X 10 |
| 00203 | 20480224 | WASHER A 4,3          |
| 00204 | 20053061 | FLEXIBLE HOSE         |
| 00205 | 20052257 | CONNECTION            |
| 00206 | 20290493 | SEAL                  |
| 00207 | 20053441 | LID SEAL              |
| 00210 | 70053672 | BACK PANEL            |
| 00211 | 20290534 | NOZZLE                |
| 00212 | 20480224 | WASHER A 4,3          |
| 00213 | 20460094 | SCREW M 4 X 8         |
| 00214 | 20420026 | NUT                   |
| 00220 | 20180581 | MAINS SWITCH          |
| 00301 | 20053440 | MOTOR FLANGE          |
| 00302 | 20053444 | WASHER                |
| 00303 | 20440307 | SCREW M6X12           |
| 00304 | 20460145 | SCREW M6X18           |
| 00305 | 20250085 | WASHER 6,4            |
| 00306 | 70053671 | ARMOURED BOWL         |
| 00307 | 70053667 | HINGE                 |
| 00310 | 20160685 | RESISTOR 150R 150W    |
| 00311 | 20460090 | SCREW M4X12           |
| 00312 | 20480167 | FAN WASHER A 5,1      |
| 00313 | 20480135 | WASHER                |
| 00314 | 20220483 | ANGLE                 |
| 00319 | 70022659 | BASE PLATE            |
| 00320 | 20053434 | BOTTOM PLATE          |
| 00321 | 20460094 | SCREW M 4 X 8         |
| 00322 | 20480244 | LOCK WASHER           |
| 00323 | 20220555 | CLAMP                 |
| 00324 | 20420078 | NUT                   |
| 00325 | 20480158 | WASHER                |
| 00326 | 20300059 | FOOT                  |
| 00401 | 70055367 | FRONTPANEL            |
| 00402 | 20290534 | NOZZLE                |
| 00403 | 70902543 | MAINS CABLE           |
| 00404 | 20460095 | SCREW PHILIPS M4 X 10 |



# Spare-Part-List

Kendro Laboratory Products  
Plant Osterode

12003484-02

MEGAFUGE 2.0 120V 60 Hz BAXTER

from Serial-No.: 210905

to Serial-No.:

| Index | Part.No. | Text                  |
|-------|----------|-----------------------|
| 00405 | 20480244 | LOCK WASHER           |
| 00406 | 20220426 | SPACER                |
| 00407 | 20420076 | HEXAGONAL NUT M4      |
| 00408 | 20460096 | SCREW M5X10           |
| 00409 | 20480167 | FAN WASHER A 5,1      |
| 00410 | 20150090 | MAINBOARD             |
| 00411 | 20230172 | FUSE 15 A             |
| 00420 | 70003724 | LID LOCK              |
| 00421 | 70022477 | FIXING CLAMP          |
| 00422 | 20440306 | SCREW M5X40           |
| 00426 | 20220280 | GRIP                  |
| 00427 | 20310316 | CLIP                  |
| 00428 | 70902556 | IMBALANCE SWITCH      |
| 00430 | 70000490 | PROCESSOR             |
| 00431 | 70903010 | EEPROM                |
| 00460 | 20210341 | FAN                   |
| 00461 | 20460090 | SCREW M4X12           |
| 00462 | 20480244 | LOCK WASHER           |
| 00463 | 20420076 | HEXAGONAL NUT M4      |
| 00471 | 20460095 | SCREW PHILIPS M4 X 10 |
| 00472 | 20480108 | FAN WASHER A 4,3      |
| 00473 | 20180138 | CONNECTOR             |
| 00474 | 20420067 | NUT                   |
| 00501 | 20210332 | MOTOR                 |
| 00502 | 20150028 | SPEED CONTROL BOARD   |
| 00503 | 20480242 | SECURING WASHER       |
| 00504 | 20460098 | SCREW M 3 X 6         |
| 00505 | 20480108 | FAN WASHER A 4,3      |
| 00506 | 20460094 | SCREW M 4 X 8         |
| 00510 | 20360047 | BOX SPANNER           |
| 00511 | 70003100 | COLLET CHUCK          |
| 00512 | 20420070 | NUT M 6               |
| 00513 | 20480168 | FAN WASHER            |
| 00514 | 10104080 | WASHER (SAND)         |
| 00515 | 20052555 | ANTI VIBRATION MOUNT  |
| 00516 | 20480193 | WASHER                |
| 00517 | 20430220 | SCREW M6X25           |
| 00601 | 70052093 | LID                   |
| 00602 | 70051920 | LID INSERT            |
| 00603 | 20440286 | SCREW M 4 X 10        |
| 00604 | 20052364 | HINGE                 |
| 00605 | 20440285 | SCREW                 |
| 00606 | 20430267 | SCREW M5X25           |
| 00607 | 20480167 | FAN WASHER A 5,1      |
| 00608 | 20480200 | WASHER                |

# Spare-Part-List

Kendro Laboratory Products  
Plant Osterode

12003484-02

MEGAFUGE 2.0 120V 60 Hz BAXTER

from Serial-No.: 210905

to Serial-No.:

| Index | Part.No. | Text             |
|-------|----------|------------------|
| 00610 | 20310293 | GAS LID STAY     |
| 00611 | 20023748 | HINGE BRACKET    |
| 00612 | 20490287 | PIN              |
| 00613 | 20460096 | SCREW M5X10      |
| 00614 | 20480167 | FAN WASHER A 5,1 |
| 00620 | 20050543 | WINDOW           |
| 00621 | 20051919 | HANDLE           |
| 00622 | 20420121 | NUT M 10 X 1,25  |
| 00623 | 20440292 | SCREW M 4 X 30   |
| 00624 | 20052842 | LID HOOK         |

# Spare-Part-List

Kendro Laboratory Products  
Plant Osterode

12003485-01

MEGAFUGE 2.0 120V 60 HZ

from Serial-No.: 208893

to Serial-No.:

| Index | Part.No. | Text                  |
|-------|----------|-----------------------|
| 00101 | 70054036 | COVER                 |
| 00102 | 20055574 | FOIL MEGAFUGE 2.0     |
| 00103 | 20510056 | SCREW M4X20           |
| 00104 | 20480130 | WASHER 4,3            |
| 00105 | 20460094 | SCREW M 4 X 8         |
| 00110 | 20150026 | CONTROL BOARD         |
| 00111 | 20480242 | SECURING WASHER       |
| 00112 | 20460098 | SCREW M 3 X 6         |
| 00201 | 70055368 | HOUSING               |
| 00202 | 20460095 | SCREW PHILIPS M4 X 10 |
| 00203 | 20480224 | WASHER A 4,3          |
| 00204 | 20053061 | FLEXIBLE HOSE         |
| 00205 | 20052257 | CONNECTION            |
| 00206 | 20290493 | SEAL                  |
| 00207 | 20053441 | LID SEAL              |
| 00210 | 70053672 | BACK PANEL            |
| 00211 | 20290534 | NOZZLE                |
| 00212 | 20480224 | WASHER A 4,3          |
| 00213 | 20460094 | SCREW M 4 X 8         |
| 00220 | 20180581 | MAINS SWITCH          |
| 00301 | 20053440 | MOTOR FLANGE          |
| 00302 | 20053444 | WASHER                |
| 00303 | 20440307 | SCREW M6X12           |
| 00304 | 20460145 | SCREW M6X18           |
| 00305 | 20250085 | WASHER 6,4            |
| 00306 | 70053671 | ARMoured BOWL         |
| 00307 | 70053667 | HINGE                 |
| 00310 | 20160685 | RESISTOR 150R 150W    |
| 00311 | 20460090 | SCREW M4X12           |
| 00312 | 20480167 | FAN WASHER A 5,1      |
| 00313 | 20480135 | WASHER                |
| 00314 | 20220483 | ANGLE                 |
| 00319 | 70022659 | BASE PLATE            |
| 00320 | 20053434 | BOTTOM PLATE          |
| 00321 | 20460094 | SCREW M 4 X 8         |
| 00322 | 20480244 | LOCK WASHER           |
| 00323 | 20220555 | CLAMP                 |
| 00324 | 20420078 | NUT                   |
| 00325 | 20480158 | WASHER                |
| 00326 | 20300059 | FOOT                  |
| 00401 | 70055367 | FRONTPANEL            |
| 00402 | 20290534 | NOZZLE                |
| 00403 | 70902543 | MAINS CABLE           |
| 00404 | 20460095 | SCREW PHILIPS M4 X 10 |
| 00405 | 20480244 | LOCK WASHER           |

**Spare-Part-List****Kendro Laboratory Products**  
Plant Osterode**12003485-01****MEGAFUGE 2.0 120V 60 HZ**

from Serial-No.: 208893

to Serial-No.:

| Index | Part.No. | Text                  |
|-------|----------|-----------------------|
| 00406 | 20220426 | SPACER                |
| 00407 | 20420076 | HEXAGONAL NUT M4      |
| 00408 | 20460096 | SCREW M5X10           |
| 00409 | 20480167 | FAN WASHER A 5,1      |
| 00410 | 20150090 | MAINBOARD             |
| 00411 | 20230172 | FUSE 15 A             |
| 00420 | 70003724 | LID LOCK              |
| 00421 | 70022477 | FIXING CLAMP          |
| 00422 | 20440306 | SCREW M5X40           |
| 00426 | 20220280 | GRIP                  |
| 00427 | 20310316 | CLIP                  |
| 00428 | 70902503 | IMBALANCE SWITCH      |
| 00430 | 70000490 | PROCESSOR             |
| 00431 | 70903010 | EEPROM                |
| 00460 | 20210341 | FAN                   |
| 00461 | 20460090 | SCREW M4X12           |
| 00462 | 20480244 | LOCK WASHER           |
| 00463 | 20420076 | HEXAGONAL NUT M4      |
| 00471 | 20460095 | SCREW PHILIPS M4 X 10 |
| 00472 | 20480108 | FAN WASHER A 4,3      |
| 00473 | 20180138 | CONNECTOR             |
| 00474 | 20420067 | NUT                   |
| 00501 | 20210332 | MOTOR                 |
| 00502 | 20150028 | SPEED CONTROL BOARD   |
| 00503 | 20480242 | SECURING WASHER       |
| 00504 | 20460098 | SCREW M 3 X 6         |
| 00505 | 20480108 | FAN WASHER A 4,3      |
| 00506 | 20460094 | SCREW M 4 X 8         |
| 00510 | 20360047 | BOX SPANNER           |
| 00511 | 70003100 | COLLET CHUCK          |
| 00512 | 20420070 | NUT M 6               |
| 00513 | 20480168 | FAN WASHER            |
| 00514 | 10104080 | WASHER (SAND)         |
| 00515 | 20052555 | ANTI VIBRATION MOUNT  |
| 00516 | 20480193 | WASHER                |
| 00517 | 20430220 | SCREW M6X25           |
| 00601 | 70052093 | LID                   |
| 00602 | 70051920 | LID INSERT            |
| 00603 | 20440286 | SCREW M 4 X 10        |
| 00604 | 20052364 | HINGE                 |
| 00605 | 20440285 | SCREW                 |
| 00606 | 20430267 | SCREW M5X25           |
| 00607 | 20480167 | FAN WASHER A 5,1      |
| 00608 | 20480200 | WASHER                |
| 00610 | 20310293 | GAS LID STAY          |

# Spare-Part-List

**Kendro Laboratory Products**  
Plant Osterode

**12003485-01**

**MEGAFUGE 2.0 120V 60 HZ**

from Serial-No.: **208893**

to Serial-No.:

| Index | Part.No. | Text             |
|-------|----------|------------------|
| 00611 | 20023748 | HINGE BRACKET    |
| 00612 | 20490287 | PIN              |
| 00613 | 20460096 | SCREW M5X10      |
| 00614 | 20480167 | FAN WASHER A 5,1 |
| 00620 | 20050543 | WINDOW           |
| 00621 | 20051919 | HANDLE           |
| 00622 | 20420151 | NUT M10 X 1.25   |
| 00623 | 20440292 | SCREW M 4 X 30   |
| 00624 | 20052842 | LID HOOK         |

# Spare-Part-List

Kendro Laboratory Products  
Plant Osterode

12003491-02

MEGAFUGE 1.0 120V 50/60 HZ

from Serial-No.: 208897

to Serial-No.:

| Index | Part.No. | Text                  |
|-------|----------|-----------------------|
| 00101 | 70054036 | COVER                 |
| 00102 | 20055572 | KEY FOIL              |
| 00103 | 20510056 | SCREW M4X20           |
| 00104 | 20480130 | WASHER 4,3            |
| 00105 | 20460094 | SCREW M 4 X 8         |
| 00110 | 20150026 | CONTROL BOARD         |
| 00111 | 20480242 | SECURING WASHER       |
| 00112 | 20460098 | SCREW M 3 X 6         |
| 00201 | 70055368 | HOUSING               |
| 00202 | 20460095 | SCREW PHILIPS M4 X 10 |
| 00203 | 20480224 | WASHER A 4,3          |
| 00204 | 20053061 | FLEXIBLE HOSE         |
| 00205 | 20052257 | CONNECTION            |
| 00206 | 20290493 | SEAL                  |
| 00207 | 20053441 | LID SEAL              |
| 00208 | 20310264 | CAP                   |
| 00210 | 70053672 | BACK PANEL            |
| 00211 | 20290534 | NOZZLE                |
| 00212 | 20480224 | WASHER A 4,3          |
| 00213 | 20460094 | SCREW M 4 X 8         |
| 00220 | 20180581 | MAINS SWITCH          |
| 00301 | 20053440 | MOTOR FLANGE          |
| 00302 | 20053444 | WASHER                |
| 00303 | 20440307 | SCREW M6X12           |
| 00304 | 20460145 | SCREW M6X18           |
| 00305 | 20250085 | WASHER 6,4            |
| 00306 | 70053671 | ARMoured BOWL         |
| 00307 | 70053667 | HINGE                 |
| 00310 | 20160685 | RESISTOR 150R 150W    |
| 00311 | 20460090 | SCREW M4X12           |
| 00312 | 20480167 | FAN WASHER A 5,1      |
| 00313 | 20480135 | WASHER                |
| 00314 | 20220483 | ANGLE                 |
| 00320 | 20053434 | BOTTOM PLATE          |
| 00321 | 20460094 | SCREW M 4 X 8         |
| 00322 | 20480244 | LOCK WASHER           |
| 00323 | 20220555 | CLAMP                 |
| 00324 | 20420078 | NUT                   |
| 00325 | 20480158 | WASHER                |
| 00326 | 20300059 | FOOT                  |
| 00401 | 70055367 | FRONTPANEL            |
| 00402 | 20290534 | NOZZLE                |
| 00403 | 70902543 | MAINS CABLE           |
| 00404 | 20460095 | SCREW PHILIPS M4 X 10 |
| 00405 | 20480244 | LOCK WASHER           |

# Spare-Part-List

Kendro Laboratory Products  
Plant Osterode

12003491-02

MEGAFUGE 1.0 120V 50/60 HZ

from Serial-No.: 208897

to Serial-No.:

| Index | Part.No. | Text                  |
|-------|----------|-----------------------|
| 00406 | 20220426 | SPACER                |
| 00407 | 20420076 | HEXAGONAL NUT M4      |
| 00408 | 20460096 | SCREW M5X10           |
| 00409 | 20480167 | FAN WASHER A 5,1      |
| 00410 | 20150090 | MAINBOARD             |
| 00411 | 20230172 | FUSE 15 A             |
| 00420 | 70003724 | LID LOCK              |
| 00421 | 70022477 | FIXING CLAMP          |
| 00422 | 20440306 | SCREW M5X40           |
| 00426 | 20220280 | GRIP                  |
| 00427 | 20310316 | CLIP                  |
| 00428 | 70902503 | IMBALANCE SWITCH      |
| 00430 | 70000490 | PROCESSOR             |
| 00431 | 70903400 | EPROM                 |
| 00460 | 20210341 | FAN                   |
| 00461 | 20460090 | SCREW M4X12           |
| 00462 | 20480244 | LOCK WASHER           |
| 00463 | 20420076 | HEXAGONAL NUT M4      |
| 00471 | 20460095 | SCREW PHILIPS M4 X 10 |
| 00472 | 20480108 | FAN WASHER A 4,3      |
| 00473 | 20180138 | CONNECTOR             |
| 00474 | 20420067 | NUT                   |
| 00501 | 20210332 | MOTOR                 |
| 00502 | 20150028 | SPEED CONTROL BOARD   |
| 00503 | 20480242 | SECURING WASHER       |
| 00504 | 20460098 | SCREW M 3 X 6         |
| 00505 | 20480108 | FAN WASHER A 4,3      |
| 00506 | 20460094 | SCREW M 4 X 8         |
| 00510 | 20360047 | BOX SPANNER           |
| 00511 | 70003100 | COLLET CHUCK          |
| 00512 | 20420070 | NUT M 6               |
| 00513 | 20480168 | FAN WASHER            |
| 00514 | 10104080 | WASHER (SAND)         |
| 00515 | 20052555 | ANTI VIBRATION MOUNT  |
| 00516 | 20480193 | WASHER                |
| 00517 | 20430220 | SCREW M6X25           |
| 00601 | 70052093 | LID                   |
| 00602 | 70051920 | LID INSERT            |
| 00603 | 20440286 | SCREW M 4 X 10        |
| 00604 | 20052364 | HINGE                 |
| 00605 | 20440285 | SCREW                 |
| 00606 | 20430267 | SCREW M5X25           |
| 00607 | 20480167 | FAN WASHER A 5,1      |
| 00608 | 20480200 | WASHER                |
| 00610 | 20310293 | GAS LID STAY          |

# Spare-Part-List

Kendro Laboratory Products  
Plant Osterode

12003491-02

MEGAFUGE 1.0 120V 50/60 HZ

from Serial-No.: 208897

to Serial-No.:

| Index | Part.No. | Text             |
|-------|----------|------------------|
| 00611 | 20023748 | HINGE BRACKET    |
| 00612 | 20490287 | PIN              |
| 00613 | 20460096 | SCREW M5X10      |
| 00614 | 20480167 | FAN WASHER A 5,1 |
| 00620 | 20050543 | WINDOW           |
| 00621 | 20051919 | HANDLE           |
| 00622 | 20420151 | NUT M10 X 1.25   |
| 00623 | 20440292 | SCREW M 4 X 30   |
| 00624 | 20052842 | LID HOOK         |



**Spare-Part-List****Kendro Laboratory Products**  
Plant Osterode**12003492-03****MEGAFUGE 1.0 INDUCT. 120V/60HZ**from Serial-No.: **210905**

to Serial-No.:

| <b>Index</b> | <b>Part.No.</b> | <b>Text</b>           |
|--------------|-----------------|-----------------------|
| 00101        | 70054036        | COVER                 |
| 00102        | 20053986        | FOIL                  |
| 00103        | 20510056        | SCREW M4X20           |
| 00104        | 20480130        | WASHER 4,3            |
| 00105        | 20460094        | SCREW M 4 X 8         |
| 00110        | 20150026        | CONTROL BOARD         |
| 00111        | 20480242        | SECURING WASHER       |
| 00112        | 20460098        | SCREW M 3 X 6         |
| 00201        | 70055368        | HOUSING               |
| 00202        | 20460095        | SCREW PHILIPS M4 X 10 |
| 00203        | 20480224        | WASHER A 4,3          |
| 00204        | 20053061        | FLEXIBLE HOSE         |
| 00205        | 20052257        | CONNECTION            |
| 00206        | 20290493        | SEAL                  |
| 00207        | 20053441        | LID SEAL              |
| 00208        | 20310264        | CAP                   |
| 00210        | 70053672        | BACK PANEL            |
| 00211        | 20290534        | NOZZLE                |
| 00212        | 20480224        | WASHER A 4,3          |
| 00213        | 20460094        | SCREW M 4 X 8         |
| 00214        | 20420026        | NUT                   |
| 00220        | 20180581        | MAINS SWITCH          |
| 00301        | 20053440        | MOTOR FLANGE          |
| 00302        | 20053444        | WASHER                |
| 00303        | 20440307        | SCREW M6X12           |
| 00304        | 20460145        | SCREW M6X18           |
| 00305        | 20250085        | WASHER 6,4            |
| 00306        | 70053671        | ARMOURED BOWL         |
| 00307        | 70053667        | HINGE                 |
| 00310        | 20160685        | RESISTOR 150R 150W    |
| 00311        | 20460090        | SCREW M4X12           |
| 00312        | 20480167        | FAN WASHER A 5,1      |
| 00313        | 20480135        | WASHER                |
| 00314        | 20220483        | ANGLE                 |
| 00320        | 20053434        | BOTTOM PLATE          |
| 00321        | 20460094        | SCREW M 4 X 8         |
| 00322        | 20480244        | LOCK WASHER           |
| 00323        | 20220555        | CLAMP                 |
| 00324        | 20420078        | NUT                   |
| 00325        | 20480158        | WASHER                |
| 00326        | 20300059        | FOOT                  |
| 00401        | 70055367        | FRONTPANEL            |
| 00402        | 20290534        | NOZZLE                |
| 00403        | 70902543        | MAINS CABLE           |
| 00404        | 20460095        | SCREW PHILIPS M4 X 10 |

# Spare-Part-List

Kendro Laboratory Products  
Plant Osterode

12003492-03

MEGAFUGE 1.0 INDUCT. 120V/60HZ

from Serial-No.: 210905

to Serial-No.:

| Index | Part.No. | Text                  |
|-------|----------|-----------------------|
| 00405 | 20480244 | LOCK WASHER           |
| 00406 | 20220426 | SPACER                |
| 00407 | 20420076 | HEXAGONAL NUT M4      |
| 00408 | 20460096 | SCREW M5X10           |
| 00409 | 20480167 | FAN WASHER A 5,1      |
| 00410 | 20150090 | MAINBOARD             |
| 00411 | 20230172 | FUSE 15 A             |
| 00420 | 70003724 | LID LOCK              |
| 00421 | 70022477 | FIXING CLAMP          |
| 00422 | 20440306 | SCREW M5X40           |
| 00426 | 20220280 | GRIP                  |
| 00427 | 20310316 | CLIP                  |
| 00428 | 70902556 | IMBALANCE SWITCH      |
| 00430 | 70000490 | PROCESSOR             |
| 00431 | 70903400 | EPROM                 |
| 00460 | 20210341 | FAN                   |
| 00461 | 20460090 | SCREW M4X12           |
| 00462 | 20480244 | LOCK WASHER           |
| 00463 | 20420076 | HEXAGONAL NUT M4      |
| 00471 | 20460095 | SCREW PHILIPS M4 X 10 |
| 00472 | 20480108 | FAN WASHER A 4,3      |
| 00473 | 20180138 | CONNECTOR             |
| 00474 | 20420067 | NUT                   |
| 00501 | 20210332 | MOTOR                 |
| 00502 | 20150028 | SPEED CONTROL BOARD   |
| 00503 | 20480242 | SECURING WASHER       |
| 00504 | 20460098 | SCREW M 3 X 6         |
| 00505 | 20480108 | FAN WASHER A 4,3      |
| 00506 | 20460094 | SCREW M 4 X 8         |
| 00510 | 20360047 | BOX SPANNER           |
| 00511 | 70003100 | COLLET CHUCK          |
| 00512 | 20420070 | NUT M 6               |
| 00513 | 20480168 | FAN WASHER            |
| 00514 | 10104080 | WASHER (SAND)         |
| 00515 | 20052555 | ANTI VIBRATION MOUNT  |
| 00516 | 20480193 | WASHER                |
| 00517 | 20430220 | SCREW M6X25           |
| 00601 | 70052093 | LID                   |
| 00602 | 70051920 | LID INSERT            |
| 00603 | 20440286 | SCREW M 4 X 10        |
| 00604 | 20052364 | HINGE                 |
| 00605 | 20440285 | SCREW                 |
| 00606 | 20430267 | SCREW M5X25           |
| 00607 | 20480167 | FAN WASHER A 5,1      |
| 00608 | 20480200 | WASHER                |

# Spare-Part-List

Kendro Laboratory Products  
Plant Osterode

12003492-03

MEGAFUGE 1.0 INDUCT. 120V/60HZ

from Serial-No.: 210905

to Serial-No.:

| Index | Part.No. | Text             |
|-------|----------|------------------|
| 00610 | 20310293 | GAS LID STAY     |
| 00611 | 20023748 | HINGE BRACKET    |
| 00612 | 20490287 | PIN              |
| 00613 | 20460096 | SCREW M5X10      |
| 00614 | 20480167 | FAN WASHER A 5,1 |
| 00620 | 20050543 | WINDOW           |
| 00621 | 20051919 | HANDLE           |
| 00622 | 20420121 | NUT M 10 X 1,25  |
| 00623 | 20440292 | SCREW M 4 X 30   |
| 00624 | 20052842 | LID HOOK         |

# Spare-Part-List

Kendro Laboratory Products  
Plant Osterode

12003493-03

MEGAFUGE 1.0 120 V /60 Hz

from Serial-No.: 210905

to Serial-No.:

| Index | Part.No. | Text                  |
|-------|----------|-----------------------|
| 00101 | 70054036 | COVER                 |
| 00102 | 20053987 | FOIL                  |
| 00103 | 20510056 | SCREW M4X20           |
| 00104 | 20480130 | WASHER 4,3            |
| 00105 | 20460094 | SCREW M 4 X 8         |
| 00110 | 20150026 | CONTROL BOARD         |
| 00111 | 20480242 | SECURING WASHER       |
| 00112 | 20460098 | SCREW M 3 X 6         |
| 00201 | 70055368 | HOUSING               |
| 00202 | 20460095 | SCREW PHILIPS M4 X 10 |
| 00203 | 20480224 | WASHER A 4,3          |
| 00204 | 20053061 | FLEXIBLE HOSE         |
| 00205 | 20052257 | CONNECTION            |
| 00206 | 20290493 | SEAL                  |
| 00207 | 20053441 | LID SEAL              |
| 00208 | 20310264 | CAP                   |
| 00210 | 70053672 | BACK PANEL            |
| 00211 | 20290534 | NOZZLE                |
| 00212 | 20480224 | WASHER A 4,3          |
| 00213 | 20460094 | SCREW M 4 X 8         |
| 00214 | 20420026 | NUT                   |
| 00220 | 20180581 | MAINS SWITCH          |
| 00301 | 20053440 | MOTOR FLANGE          |
| 00302 | 20053444 | WASHER                |
| 00303 | 20440307 | SCREW M6X12           |
| 00304 | 20460145 | SCREW M6X18           |
| 00305 | 20250085 | WASHER 6,4            |
| 00306 | 70053671 | ARMOURED BOWL         |
| 00307 | 70053667 | HINGE                 |
| 00310 | 20160685 | RESISTOR 150R 150W    |
| 00311 | 20460090 | SCREW M4X12           |
| 00312 | 20480167 | FAN WASHER A 5,1      |
| 00313 | 20480135 | WASHER                |
| 00314 | 20220483 | ANGLE                 |
| 00320 | 20053434 | BOTTOM PLATE          |
| 00321 | 20460094 | SCREW M 4 X 8         |
| 00322 | 20480244 | LOCK WASHER           |
| 00323 | 20220555 | CLAMP                 |
| 00324 | 20420078 | NUT                   |
| 00325 | 20480158 | WASHER                |
| 00326 | 20300059 | FOOT                  |
| 00401 | 70055367 | FRONTPANEL            |
| 00402 | 20290534 | NOZZLE                |
| 00403 | 70902543 | MAINS CABLE           |
| 00404 | 20460095 | SCREW PHILIPS M4 X 10 |

**Spare-Part-List****Kendro Laboratory Products**  
Plant Osterode**12003493-03****MEGAFUGE 1.0 120 V /60 Hz**from Serial-No.: **210905**

to Serial-No.:

| Index | Part.No. | Text                  |
|-------|----------|-----------------------|
| 00405 | 20480244 | LOCK WASHER           |
| 00406 | 20220426 | SPACER                |
| 00407 | 20420076 | HEXAGONAL NUT M4      |
| 00408 | 20460096 | SCREW M5X10           |
| 00409 | 20480167 | FAN WASHER A 5,1      |
| 00410 | 20150090 | MAINBOARD             |
| 00411 | 20230172 | FUSE 15 A             |
| 00420 | 70003724 | LID LOCK              |
| 00421 | 70022477 | FIXING CLAMP          |
| 00422 | 20440306 | SCREW M5X40           |
| 00426 | 20220280 | GRIP                  |
| 00427 | 20310316 | CLIP                  |
| 00428 | 70902556 | IMBALANCE SWITCH      |
| 00430 | 70000490 | PROCESSOR             |
| 00431 | 70903400 | EPROM                 |
| 00460 | 20210341 | FAN                   |
| 00461 | 20460090 | SCREW M4X12           |
| 00462 | 20480244 | LOCK WASHER           |
| 00463 | 20420076 | HEXAGONAL NUT M4      |
| 00471 | 20460095 | SCREW PHILIPS M4 X 10 |
| 00472 | 20480108 | FAN WASHER A 4,3      |
| 00473 | 20180138 | CONNECTOR             |
| 00474 | 20420067 | NUT                   |
| 00501 | 20210332 | MOTOR                 |
| 00502 | 20150028 | SPEED CONTROL BOARD   |
| 00503 | 20480242 | SECURING WASHER       |
| 00504 | 20460098 | SCREW M 3 X 6         |
| 00505 | 20480108 | FAN WASHER A 4,3      |
| 00506 | 20460094 | SCREW M 4 X 8         |
| 00510 | 20360047 | BOX SPANNER           |
| 00511 | 70003100 | COLLET CHUCK          |
| 00512 | 20420070 | NUT M 6               |
| 00513 | 20480168 | FAN WASHER            |
| 00514 | 10104080 | WASHER (SAND)         |
| 00515 | 20052555 | ANTI VIBRATION MOUNT  |
| 00516 | 20480193 | WASHER                |
| 00517 | 20430220 | SCREW M6X25           |
| 00601 | 70052093 | LID                   |
| 00602 | 70051920 | LID INSERT            |
| 00603 | 20440286 | SCREW M 4 X 10        |
| 00604 | 20052364 | HINGE                 |
| 00605 | 20440285 | SCREW                 |
| 00606 | 20430267 | SCREW M5X25           |
| 00607 | 20480167 | FAN WASHER A 5,1      |
| 00608 | 20480200 | WASHER                |

# Spare-Part-List

Kendro Laboratory Products  
Plant Osterode

**12003493-03**

**MEGAFUGE 1.0 120 V /60 Hz**

from Serial-No.: 210905

to Serial-No.:

| Index | Part.No. | Text             |
|-------|----------|------------------|
| 00610 | 20310293 | GAS LID STAY     |
| 00611 | 20023748 | HINGE BRACKET    |
| 00612 | 20490287 | PIN              |
| 00613 | 20460096 | SCREW M5X10      |
| 00614 | 20480167 | FAN WASHER A 5,1 |
| 00620 | 20050543 | WINDOW           |
| 00621 | 20051919 | HANDLE           |
| 00622 | 20420121 | NUT M 10 X 1,25  |
| 00623 | 20440292 | SCREW M 4 X 30   |
| 00624 | 20052842 | LID HOOK         |