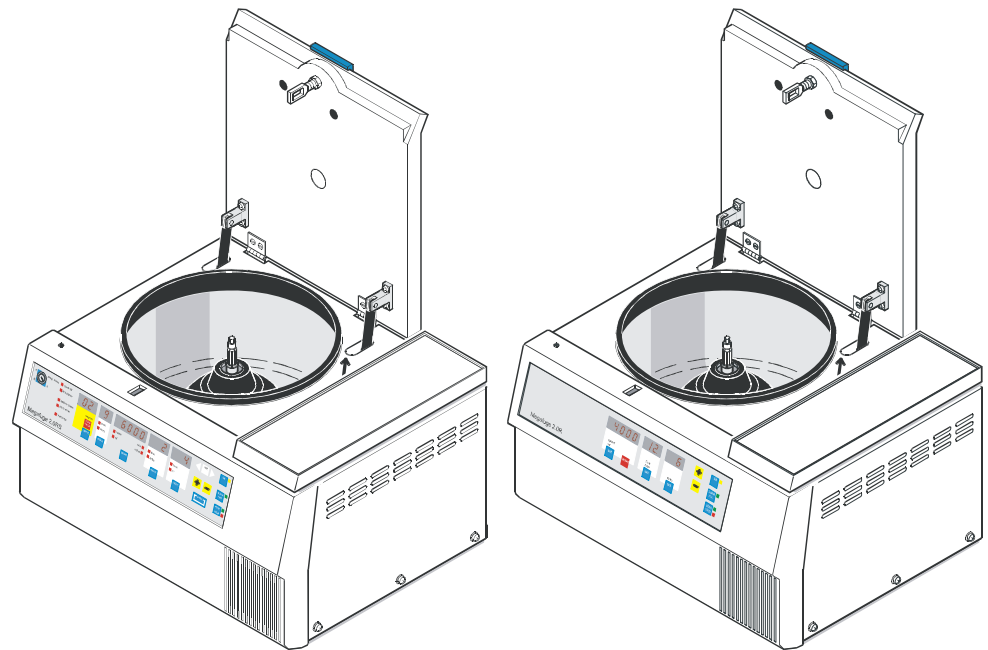


Megafuge 1.0 R
Megafuge 1.0 RS
Megafuge 2.0 R
Megafuge 2.0 RS

Spare Parts List

120V 230V

deutsch / english



Nur Geräte oberhalb folgender Seriennummern/Only units above following serial numbers

75003060/02>S/N 211801, 75003061/01>S/N 208909, 75003062/02>S/N 212615, 75003080/02>S/N 212871,
75003082/02>S/N 212639, 75003083/01>S/N 230974, 75003085/01>S/N 209462, 75015505>S/N 213225,
75015552>S/N 238164

Geräte vor obigen Seriennummern sind out of service – all other units below this serials are out of service

ACHTUNG!

Bitte achten Sie besonders darauf, dass die in diesen Ersatzteillisten aufgeführten Artikel- und Fabriknummern, mit denen auf dem Typenschild ihres Gerätes übereinstimmen!

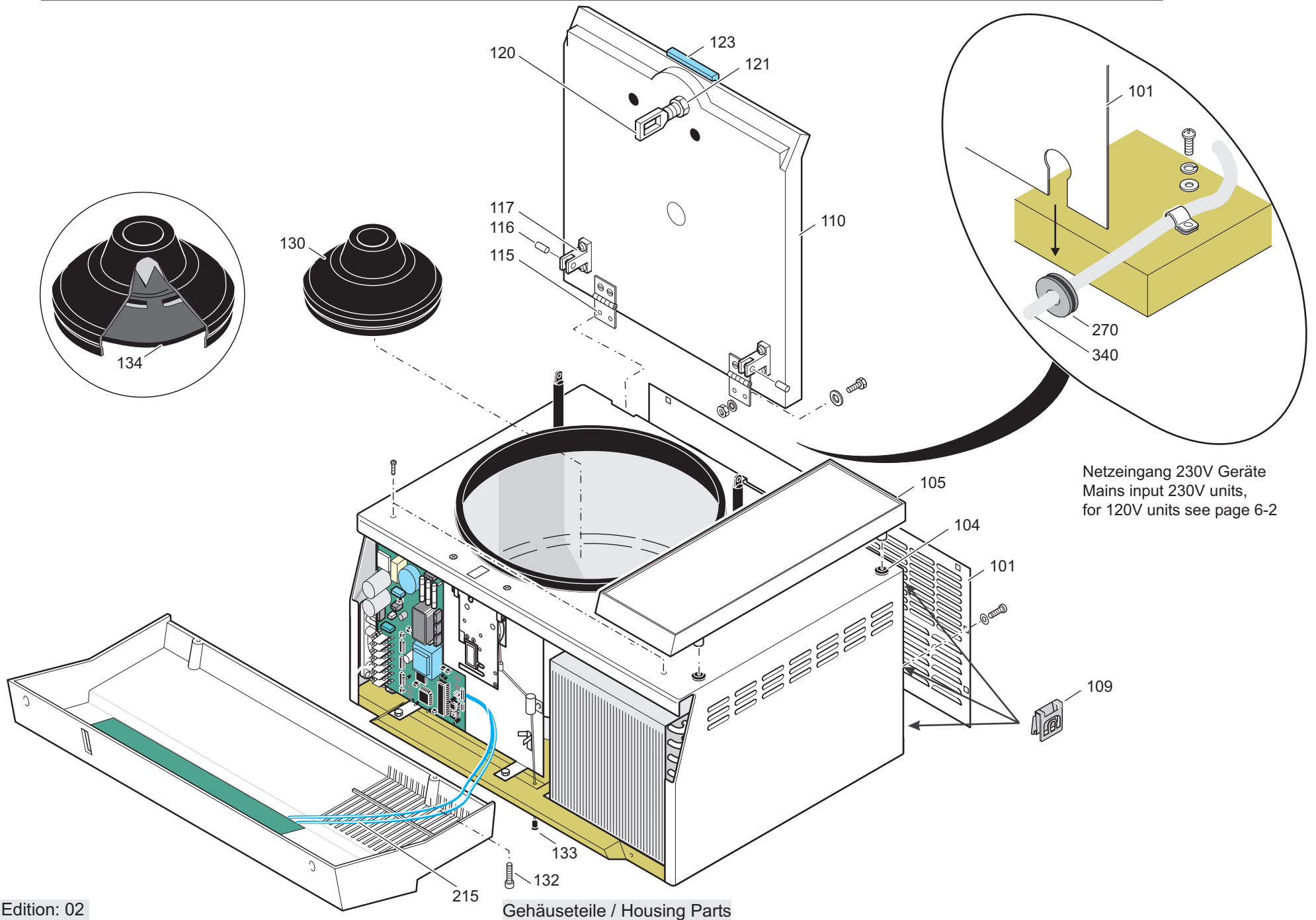
ATTENTION!

Please take special care that the order numbers and serial numbers given in this spare parts list are identical with the numbers on the name plate of your unit!

The original copy of this manual is valid. Thermo Scientific cannot guarantee the accuracy or completeness of subsequent copies.

Thermo
SCIENTIFIC

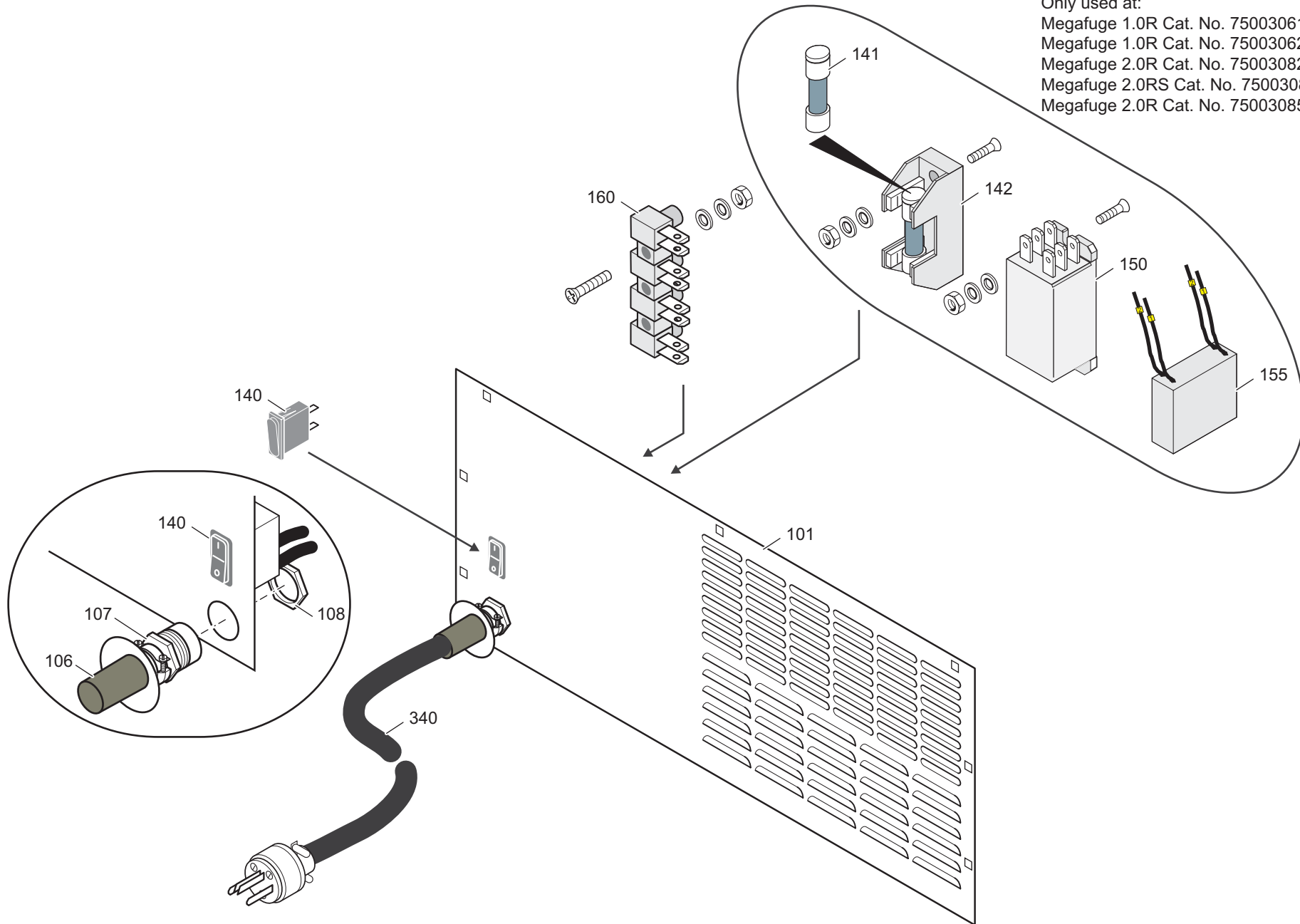
EXPLOSIONSZEICHNUNGEN
BREAK DOWN DRAWINGS



Netzeingang 230V Geräte
Mains input 230V units,
for 120V units see page 6-2

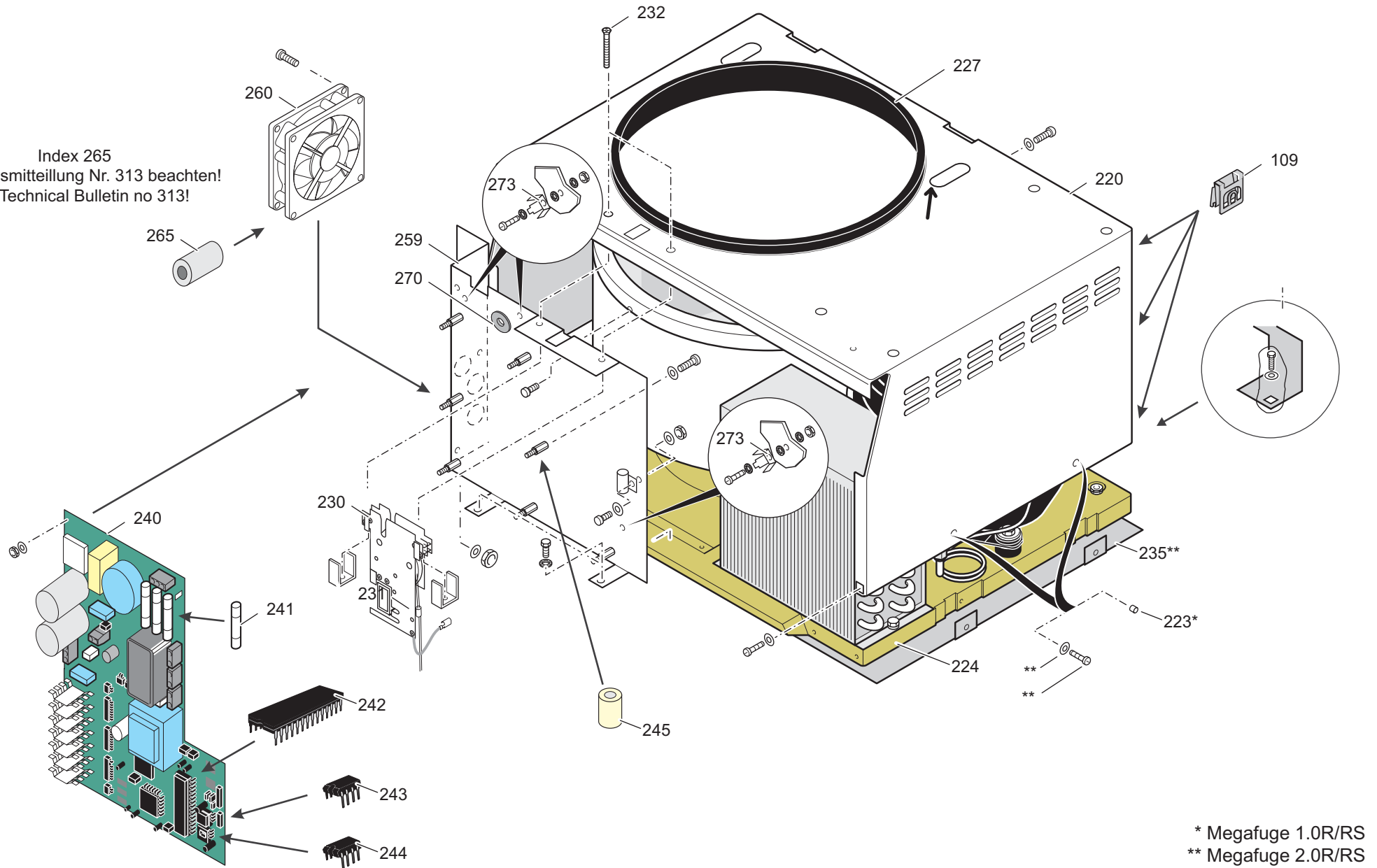
EXPLOSIONSZEICHNUNGEN
BREAK DOWN DRAWINGS

Only used at:
Megafuge 1.0R Cat. No. 75003061, Serial No below 231792
Megafuge 1.0R Cat. No. 75003062, Serial No below 227981
Megafuge 2.0R Cat. No. 75003082, Serial No below 226097
Megafuge 2.0RS Cat. No. 75003083, Serial No below 230974
Megafuge 2.0R Cat. No. 75003085, Serial No below 224716



EXPLOSIONSZEICHNUNGEN
BREAK DOWN DRAWINGS

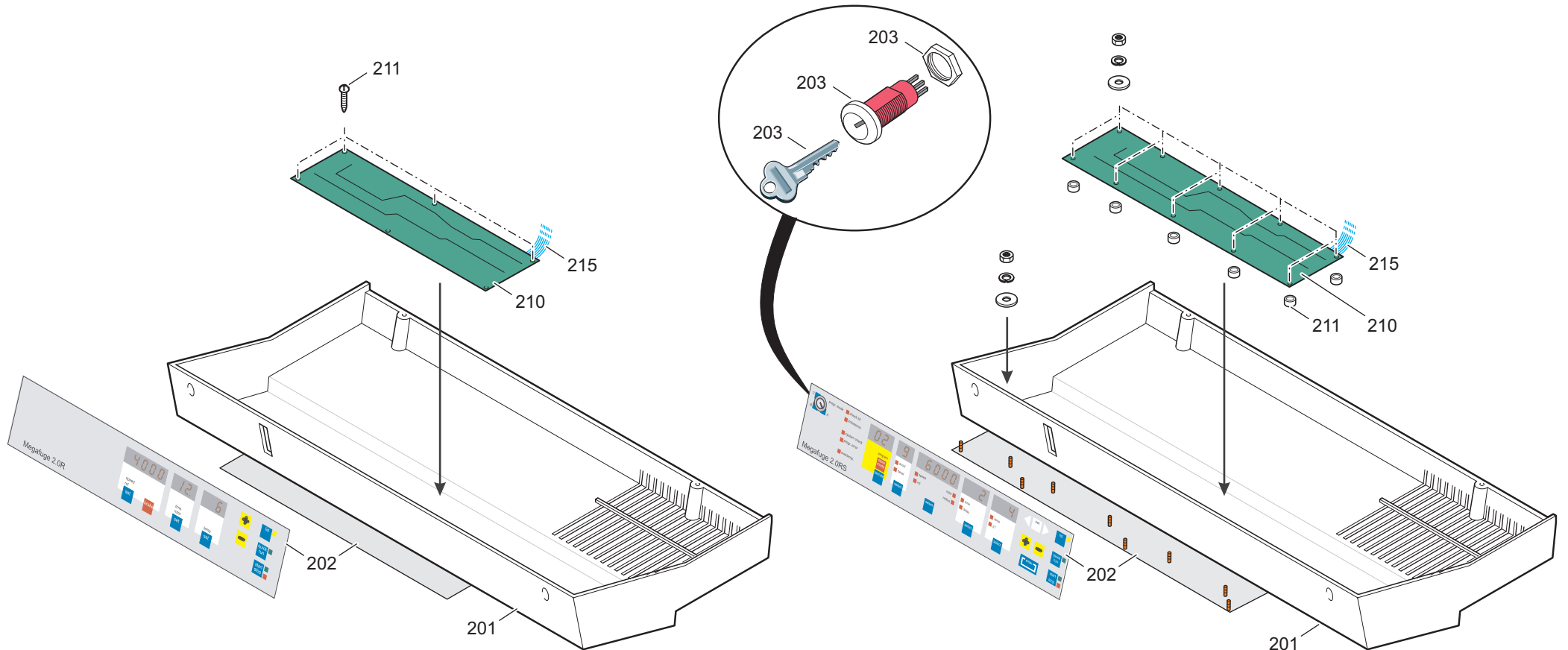
Index 265
Änderungsmittellung Nr. 313 beachten!
Note Technical Bulletin no 313!



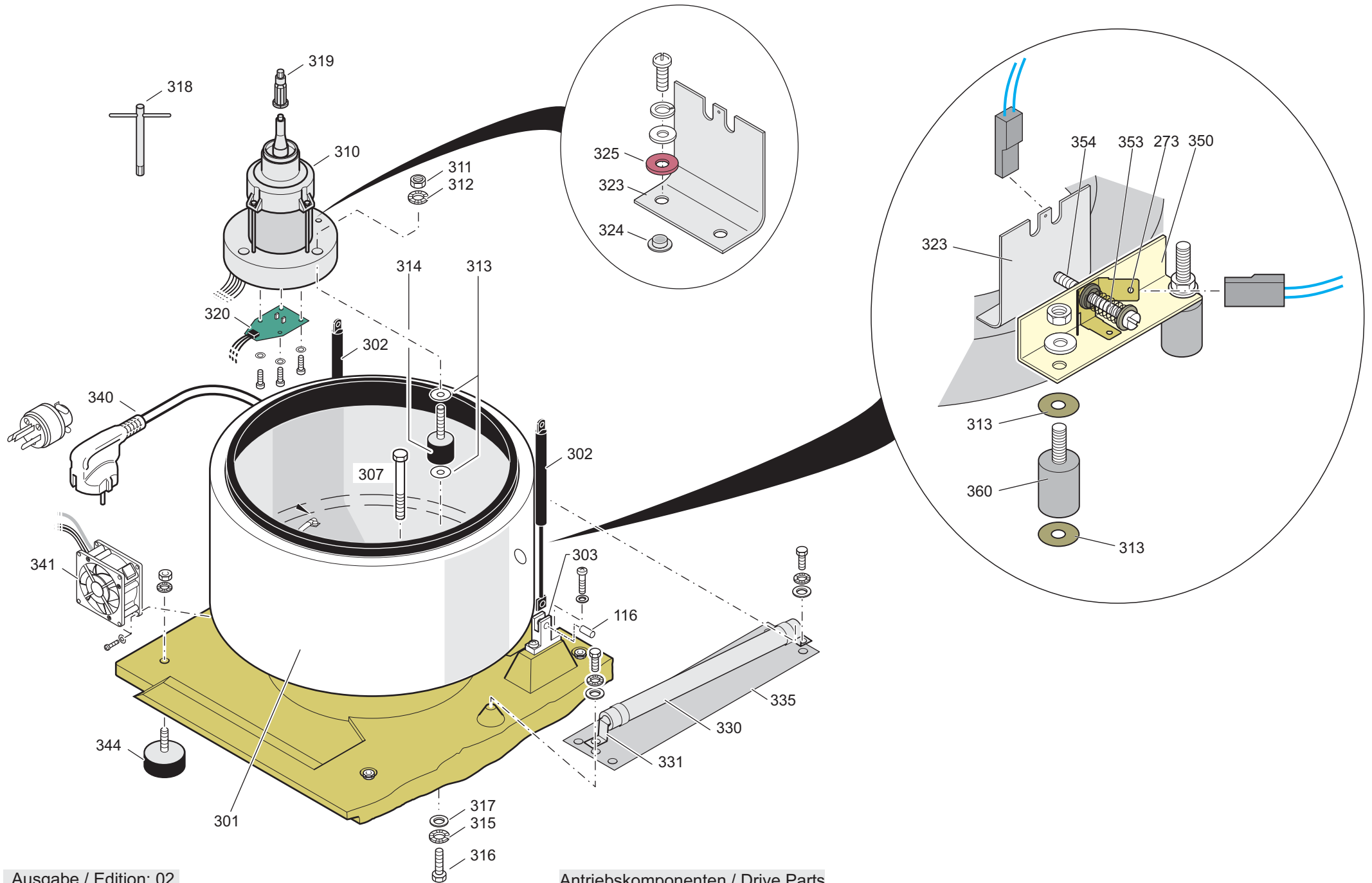
* Megafuge 1.0R/RS
** Megafuge 2.0R/RS

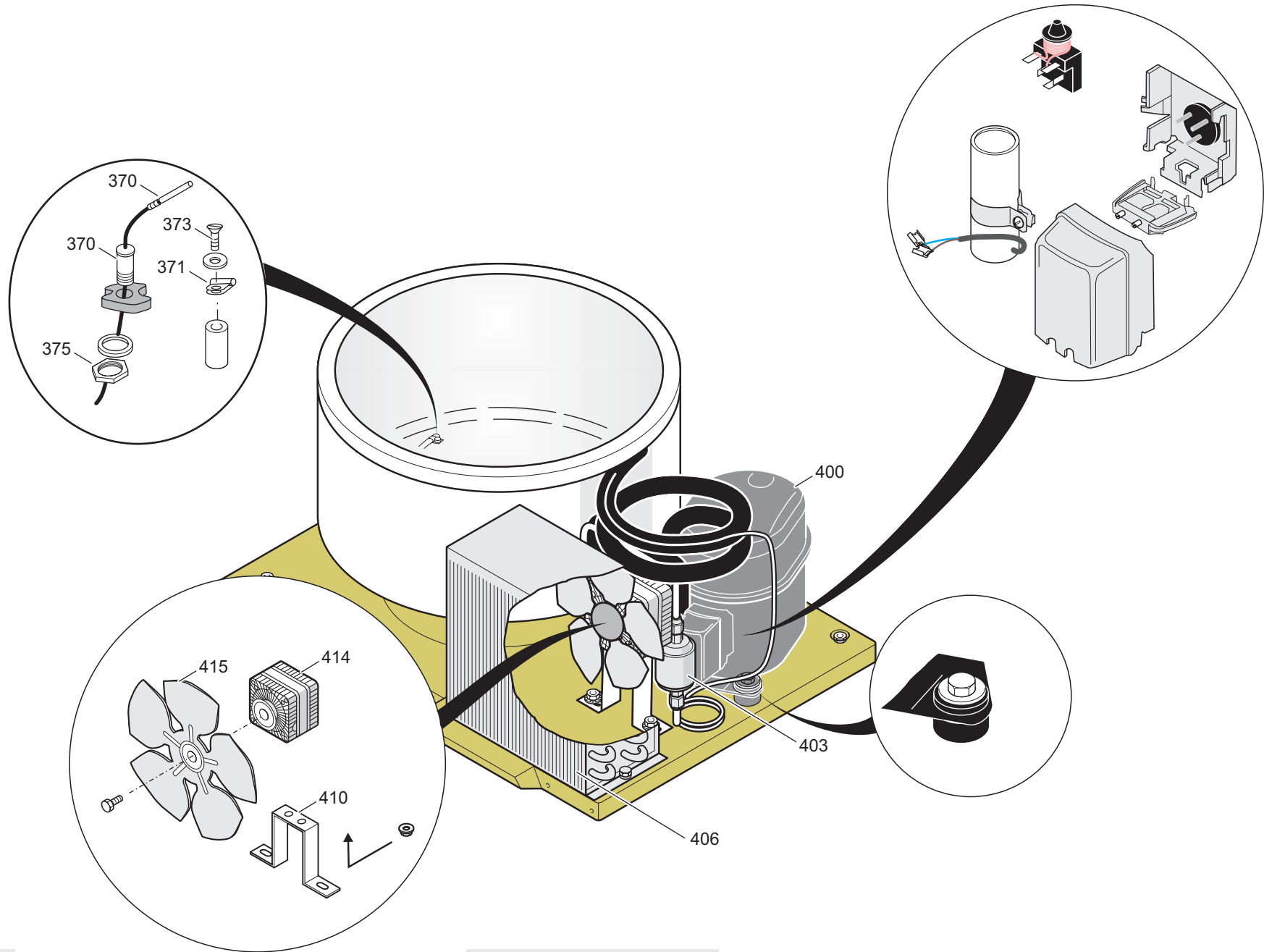
Nur Megafuge 1.0R/2.0R
Only Megafuge 1.0R/2.0R

Nur Megafuge 1.0RS/2.0RS
Only Megafuge 1.0RS/2.0RS



EXPLOSIONSZEICHNUNGEN
BREAK DOWN DRAWINGS





Spare-Part-List

75003060 .04

MEGAFUGE 1.0 OR 230V TBL COOLG CENTR

from Serial-No. 211801

to Serial-No.

Index	Partno.	Text
00101	70022620	BACK PANEL
00104	20290187	CABLE ENTRY
00105	20022401	DEPOSITE
00106	20290534	NOZZLE
00109	20420026	NUT
00110	20002695	LID WITH WINDOW
00115	20052364	HINGE
00116	20490287	PIN
00117	20023748	HINGE BRACKET
00120	20052842	LID HOOK
00121	20420151	NUT M10 X 1.25
00123	20051919	HANDLE
00130	20022576	RUBBER FLANGE
00132	20510052	SCREW M4 X 10
00133	20310316	CLIP
00134	20056085	INSOLATION
00201	20022402	FRONT COVER
00202	20055573	FOIL
00210	20150044	INDICATION AND KEY BOARD
00211	20460137	SCREW 3X8
00215	70902555	WIRING
00220	70055370	HOUSING
00223	20310264	CAP
00224	20022578	BOTTOM PLATE
00227	20290516	SEAL
00230	70003700	LID LOCK ASSY
00231	70022477	FIXING CLAMP
00232	20440306	SCREW M5X40
00240	20150091	MAINBOARD
00241	20230122	FUSE 16 AT
00242	70000491	PROCESSOR
00243	70903009	EEPROM MEGA 1.0R
00259	70055369	FRONTPANEL
00260	20210340	FAN
00265	20170330	FERROXCUBE
00270	20290534	NOZZLE
00273	20180138	CONNECTOR

Spare-Part-List

75003060 .04

MEGAFUGE 1.0 OR 230V TBL COOLG CENTR

from Serial-No. 211801

to Serial-No.

Index	Partno.	Text
00301	70904031	EVAPORATOR
00302	20310309	GAS LID STAY
00303	20023748	HINGE BRACKET
00310	20210353	MOTOR
00311	20420070	NUT M 6
00312	20480251	SECURING WASHER
00313	20480301	Sand paper washer
00314	20052555	ANTI VIBRATION MOUNT
00315	20480251	SECURING WASHER
00316	20430220	SCREW M6X25
00317	20480193	WASHER
00318	20360047	BOX SPANNER
00319	70003100	COLLET CHUCK
00320	20150028	SPEED CONTROL BOARD
00323	70022632	BRACKET
00324	20250071	WASHER
00325	20220484	SPACER
00330	20160685	RESISTOR 150R 150W
00331	20220483	ANGLE
00335	70038969	INSULATING SHEET
00340	20190169	MAINS CABLE
00341	70904182	
00344	20300059	FOOT
00350	70023955	BRACKEL
00353	20028940	SPRING
00354	20470081	SCREW M4 X 30
00360	20020732	ANTI VIBRATION MOUNT
00370	70902547	TEMP. SENSOR
00371	20220286	GRIP 6,5
00373	20440309	SCREW M4 X 35
00375	20220100	NUT PG 9
00400	20240464	COMPRESSOR
00403	20240453	FILTERDRYER
00404	20430216	SCREW M 6 X 12
00410	20210377	ANGLE
00414	20210375	FANMOTOR
00415	20210308	FAN BLADE

Spare-Part-List

75003061 .01

MEGAFUGE 1.0R 120V 60HZ

from Serial-No. 208909

to Serial-No. 231791

Index	Partno.	Text
00104	20290187	CABLE ENTRY
00105	20022401	DEPOSITE
00106	20290320	CABLE ENTRY
00107	20220107	CORD GRIP
00108	20220106	NUT
00109	20420026	NUT
00110	20002695	LID WITH WINDOW
00115	20052364	HINGE
00116	20490287	PIN
00117	20023748	HINGE BRACKET
00120	20052842	LID HOOK
00121	20420151	NUT M10 X 1.25
00123	20051919	HANDLE
00130	20022576	RUBBER FLANGE
00132	20510052	SCREW M4 X 10
00133	20310316	CLIP
00134	20056085	INSOLATION
00140	20180589	SWITCH
00141	20230168	FUSE 15A T
00142	20230167	FUSE HOLDER
00150	20130186	RELAY
00155	20540318	RC-COMBINATION
00160	20220490	TERMINAL CLAMP
00201	20022402	FRONT COVER
00202	20055573	FOIL
00210	20150044	INDICATION AND KEY BOARD
00211	20460137	SCREW 3X8
00215	70902555	WIRING
00220	70055370	HOUSING
00223	20310264	CAP
00224	20022578	BOTTOM PLATE
00227	20290516	SEAL
00230	70003724	LID LOCK
00231	70022477	FIXING CLAMP
00232	20440306	SCREW M5X40
00240	20150092	MAINBOARD
00241	20230172	FUSE 15 A
00242	70000491	PROCESSOR

Spare-Part-List

75003061 .01

MEGAFUGE 1.0R 120V 60HZ

from Serial-No. 208909

to Serial-No. 231791

Index	Partno.	Text
00243	70903009	EEPROM MEGA 1.0R
00259	70055369	FRONTPANEL
00260	20210341	FAN
00265	20170330	FERROXCUBE
00270	20290534	NOZZLE
00273	20180138	CONNECTOR
00301	70904031	EVAPORATOR
00302	20310309	GAS LID STAY
00303	20023748	HINGE BRACKET
00310	20210332	MOTOR red Leakage current
00311	20420070	NUT M 6
00312	20480251	SECURING WASHER
00313	20480301	Sand paper washer
00314	20052555	ANTI VIBRATION MOUNT
00315	20480251	SECURING WASHER
00316	20430220	SCREW M6X25
00317	20480193	WASHER
00318	20360047	BOX SPANNER
00319	70003100	COLLET CHUCK
00320	20150028	SPEED CONTROL BOARD
00323	70022632	BRACKET
00324	20250071	WASHER
00325	20220484	SPACER
00330	20160685	RESISTOR 150R 150W
00331	20220483	ANGLE
00335	70038969	INSULATING SHEET
00340	70002287	POWER SUPPLY CABLE
00341	20210325	FAN
00344	20300059	FOOT
00350	70023955	BRACKEL
00353	20028940	SPRING
00354	20470081	SCREW M4 X 30
00360	20020732	ANTI VIBRATION MOUNT
00370	70902547	TEMP. SENSOR
00371	20220286	GRIP 6,5
00373	20440309	SCREW M4 X 35
00375	20220100	NUT PG 9
00400	20240465	COMPRESSOR

Spare-Part-List

75003061 .01

MEGAFUGE 1.0R 120V 60HZ

from Serial-No. 208909

to Serial-No. 231791

Index	Partno.	Text
00403	20240453	FILTERDRYER
00406	20022579	CONDENSOR
00410	20210377	ANGLE
00414	20210376	FAN
00415	20210308	FAN BLADE

Spare-Part-List

75003061 .02

MEGAFUGE 1.0R 120V 60HZ

from Serial-No. 231792

to Serial-No.

Index	Partno.	Text
00104	20290187	CABLE ENTRY
00105	20022401	DEPOSITE
00106	20290320	CABLE ENTRY
00107	20220107	CORD GRIP
00108	20220106	NUT
00109	20420026	NUT
00110	20002695	LID WITH WINDOW
00115	20052364	HINGE
00116	20490287	PIN
00117	20023748	HINGE BRACKET
00120	20052842	LID HOOK
00121	20420151	NUT M10 X 1.25
00123	20051919	HANDLE
00130	20022576	RUBBER FLANGE
00132	20510052	SCREW M4 X 10
00133	20310316	CLIP
00134	20056085	INSOLATION
00140	20180589	SWITCH
00160	20220490	TERMINAL CLAMP
00201	20022402	FRONT COVER
00202	20055573	FOIL
00210	20150044	INDICATION AND KEY BOARD
00211	20460137	SCREW 3X8
00215	70902555	WIRING
00220	70055370	HOUSING
00223	20310264	CAP
00224	20022578	BOTTOM PLATE
00227	20290516	SEAL
00230	70003724	LID LOCK
00231	70022477	FIXING CLAMP
00232	20440306	SCREW M5X40
00240	20150092	MAINBOARD
00241	20230172	FUSE 15 A
00242	70000491	PROCESSOR
00243	70903009	EEPROM MEGA 1.0R
00259	70055369	FRONTPANEL
00260	20210341	FAN
00265	20170330	FERROXCUBE

Spare-Part-List

75003061 .02

MEGAFUGE 1.0R 120V 60HZ

from Serial-No. 231792

to Serial-No.

Index	Partno.	Text
00270	20290534	NOZZLE
00273	20180138	CONNECTOR
00301	70904031	EVAPORATOR
00302	20310309	GAS LID STAY
00303	20023748	HINGE BRACKET
00310	20210332	MOTOR red Leakage current
00311	20420070	NUT M 6
00312	20480251	SECURING WASHER
00313	20480301	Sand paper washer
00314	20052555	ANTI VIBRATION MOUNT
00315	20480251	SECURING WASHER
00316	20430220	SCREW M6X25
00317	20480193	WASHER
00318	20360047	BOX SPANNER
00319	70003100	COLLET CHUCK
00320	20150028	SPEED CONTROL BOARD
00323	70022632	BRACKET
00324	20250071	WASHER
00325	20220484	SPACER
00330	20160685	RESISTOR 150R 150W
00331	20220483	ANGLE
00335	70038969	INSULATING SHEET
00340	70002287	POWER SUPPLY CABLE
00341	20210325	FAN
00344	20300059	FOOT
00350	70023955	BRACKEL
00353	20028940	SPRING
00354	20470081	SCREW M4 X 30
00360	20020732	ANTI VIBRATION MOUNT
00370	70902547	TEMP. SENSOR
00371	20220286	GRIP 6,5
00373	20440309	SCREW M4 X 35
00375	20220100	NUT PG 9
00400	20240465	COMPRESSOR
00403	20240453	FILTERDRYER
00406	20022579	CONDENSOR
00410	20210377	ANGLE
00414	20210376	FAN

Spare-Part-List

75003061 .02

MEGAFUGE 1.0R 120V 60HZ

from Serial-No. 231792

to Serial-No.

Index

Partno.

Text

00415

20210308

FAN BLADE

Spare-Part-List

75003062 .04

MEGAFUGE 1.0 R, 120 V/60 HZ

from Serial-No. 212615

to Serial-No. 227980

Index	Partno.	Text
00104	20290187	CABLE ENTRY
00105	20022401	DEPOSITE
00106	20290320	CABLE ENTRY
00107	20220107	CORD GRIP
00108	20220106	NUT
00109	20420026	NUT
00110	20002695	LID WITH WINDOW
00115	20052364	HINGE
00116	20490287	PIN
00117	20023748	HINGE BRACKET
00120	20052842	LID HOOK
00121	20420151	NUT M10 X 1.25
00123	20051919	HANDLE
00130	20022576	RUBBER FLANGE
00132	20510052	SCREW M4 X 10
00133	20310316	CLIP
00134	20056085	INSOLATION
00140	20180589	SWITCH
00141	20230168	FUSE 15A T
00142	20230167	FUSE HOLDER
00150	20130186	RELAY
00155	20540318	RC-COMBINATION
00160	20220490	TERMINAL CLAMP
00201	20022402	FRONT COVER
00202	20022648	KEY FOIL
00210	20150044	INDICATION AND KEY BOARD
00211	20460137	SCREW 3X8
00215	70902555	WIRING
00220	70055370	HOUSING
00223	20310264	CAP
00224	20022578	BOTTOM PLATE
00227	20290516	SEAL
00230	70003724	LID LOCK
00231	70022477	FIXING CLAMP
00232	20440306	SCREW M5X40
00240	20150092	MAINBOARD
00241	20230172	FUSE 15 A
00242	70000491	PROCESSOR

Spare-Part-List

75003062 .04

MEGAFUGE 1.0 R, 120 V/60 HZ

from Serial-No. 212615

to Serial-No. 227980

Index	Partno.	Text
00243	70903009	EEPROM MEGA 1.0R
00259	70055369	FRONTPANEL
00260	20210341	FAN
00265	20170330	FERROXCUBE
00270	20290534	NOZZLE
00273	20180138	CONNECTOR
00301	70904031	EVAPORATOR
00302	20310309	GAS LID STAY
00303	20023748	HINGE BRACKET
00310	20210332	MOTOR red Leakage current
00311	20420070	NUT M 6
00312	20480251	SECURING WASHER
00313	20480301	Sand paper washer
00314	20052555	ANTI VIBRATION MOUNT
00315	20480251	SECURING WASHER
00316	20430220	SCREW M6X25
00317	20480193	WASHER
00318	20360047	BOX SPANNER
00319	70003100	COLLET CHUCK
00320	20150028	SPEED CONTROL BOARD
00323	70022632	BRACKET
00324	20250071	WASHER
00325	20220484	SPACER
00330	20160685	RESISTOR 150R 150W
00331	20220483	ANGLE
00335	70038969	INSULATING SHEET
00340	70002287	POWER SUPPLY CABLE
00341	20210325	FAN
00344	20300059	FOOT
00350	70023955	BRACKEL
00353	20028940	SPRING
00354	20470081	SCREW M4 X 30
00360	20020732	ANTI VIBRATION MOUNT
00370	70902547	TEMP. SENSOR
00371	20220286	GRIP 6,5
00373	20440309	SCREW M4 X 35
00375	20220100	NUT PG 9
00400	20240465	COMPRESSOR

Spare-Part-List

75003062 . 04

MEGAFUGE 1.0 R, 120 V/60 HZ

from Serial-No. 212615

to Serial-No. 227980

Index	Partno.	Text
00403	20240453	FILTERDRYER
00406	20022579	CONDENSOR
00410	20210377	ANGLE
00414	20210376	FAN
00415	20210308	FAN BLADE

Spare-Part-List

75003062 . 05

MEGAFUGE 1.0 R, 120 V/60 HZ

from Serial-No. 227981

to Serial-No.

Index	Partno.	Text
00104	20290187	CABLE ENTRY
00105	20022401	DEPOSITE
00106	20290320	CABLE ENTRY
00107	20220107	CORD GRIP
00108	20220106	NUT
00109	20420026	NUT
00110	20002695	LID WITH WINDOW
00115	20052364	HINGE
00116	20490287	PIN
00117	20023748	HINGE BRACKET
00120	20052842	LID HOOK
00121	20420151	NUT M10 X 1.25
00123	20051919	HANDLE
00130	20022576	RUBBER FLANGE
00132	20510052	SCREW M4 X 10
00133	20310316	CLIP
00134	20056085	INSOLATION
00140	20180589	SWITCH
00160	20220490	TERMINAL CLAMP
00201	20022402	FRONT COVER
00202	20022648	KEY FOIL
00210	20150044	INDICATION AND KEY BOARD
00211	20460137	SCREW 3X8
00215	70902555	WIRING
00220	70055370	HOUSING
00223	20310264	CAP
00224	20022578	BOTTOM PLATE
00227	20290516	SEAL
00230	70003724	LID LOCK
00231	70022477	FIXING CLAMP
00232	20440306	SCREW M5X40
00240	20150092	MAINBOARD
00241	20230172	FUSE 15 A
00242	70000491	PROCESSOR
00243	70903009	EEPROM MEGA 1.0R
00259	70055369	FRONTPANEL
00260	20210341	FAN
00265	20170330	FERROXCUBE

Spare-Part-List

75003062 . 05

MEGAFUGE 1.0 R, 120 V/60 HZ

from Serial-No. 227981

to Serial-No.

Index	Partno.	Text
00270	20290534	NOZZLE
00273	20180138	CONNECTOR
00301	70904031	EVAPORATOR
00302	20310309	GAS LID STAY
00303	20023748	HINGE BRACKET
00310	20210332	MOTOR red Leakage current
00311	20420070	NUT M 6
00312	20480251	SECURING WASHER
00313	20480301	Sand paper washer
00314	20052555	ANTI VIBRATION MOUNT
00315	20480251	SECURING WASHER
00316	20430220	SCREW M6X25
00317	20480193	WASHER
00318	20360047	BOX SPANNER
00319	70003100	COLLET CHUCK
00320	20150028	SPEED CONTROL BOARD
00323	70022632	BRACKET
00324	20250071	WASHER
00325	20220484	SPACER
00330	20160685	RESISTOR 150R 150W
00331	20220483	ANGLE
00335	70038969	INSULATING SHEET
00340	70002287	POWER SUPPLY CABLE
00341	20210325	FAN
00344	20300059	FOOT
00350	70023955	BRACKEL
00353	20028940	SPRING
00354	20470081	SCREW M4 X 30
00360	20020732	ANTI VIBRATION MOUNT
00370	70902547	TEMP. SENSOR
00371	20220286	GRIP 6,5
00373	20440309	SCREW M4 X 35
00375	20220100	NUT PG 9
00400	20240465	COMPRESSOR
00403	20240453	FILTERDRYER
00406	20022579	CONDENSOR
00410	20210377	ANGLE
00414	20210376	FAN

Spare-Part-List

75003062 . 05

MEGAFUGE 1.0 R, 120 V/60 HZ

from Serial-No. 227981

to Serial-No.

Index

Partno.

Text

00415

20210308

FAN BLADE

Spare-Part-List

75003080 .03

MEGAFUGE 2.0R 230V 50/60HZ

from Serial-No. 212871

to Serial-No.

Index	Partno.	Text
00104	20290187	CABLE ENTRY
00105	20022401	DEPOSITE
00109	20420026	NUT
00110	20002695	LID WITH WINDOW
00115	20052364	HINGE
00116	20490287	PIN
00117	20023748	HINGE BRACKET
00120	20052842	LID HOOK
00121	20420151	NUT M10 X 1.25
00123	20051919	HANDLE
00130	20022576	RUBBER FLANGE
00133	20310316	CLIP
00134	20056085	INSOLATION
00201	20022402	FRONT COVER
00202	20055575	FOIL MEGAFUGE 2.0 R
00210	20150044	INDICATION AND KEY BOARD
00211	20460137	SCREW 3X8
00215	70902555	WIRING
00220	70055370	HOUSING
00224	20022578	BOTTOM PLATE
00227	20290516	SEAL
00230	70003700	LID LOCK ASSY
00231	70022477	FIXING CLAMP
00232	20440306	SCREW M5X40
00235	70022653	BASE
00240	20150091	MAINBOARD
00241	20230122	FUSE 16 AT
00242	70000491	PROCESSOR
00243	70903011	EEPROM MEGAFUGE 2.0R
00245	20170316	FERROXCUBE
00259	70055369	FRONTPANEL
00260	20210340	FAN
00270	20290534	NOZZLE
00270	20290534	NOZZLE
00273	20180138	CONNECTOR
00301	70904031	EVAPORATOR
00302	20310309	GAS LID STAY
00303	20023748	HINGE BRACKET

Spare-Part-List

75003080 . 03

MEGAFUGE 2.0R 230V 50/60HZ

from Serial-No. 212871

to Serial-No.

Index	Partno.	Text
00310	20210353	MOTOR
00311	20420070	NUT M 6
00312	20480251	SECURING WASHER
00313	20480301	Sand paper washer
00314	20052555	ANTI VIBRATION MOUNT
00315	20480251	SECURING WASHER
00316	20430220	SCREW M6X25
00317	20480193	WASHER
00318	20360047	BOX SPANNER
00319	70003100	COLLET CHUCK
00320	20150028	SPEED CONTROL BOARD
00323	70022632	BRACKET
00324	20250071	WASHER
00325	20220484	SPACER
00330	20160685	RESISTOR 150R 150W
00331	20220483	ANGLE
00335	70038969	INSULATING SHEET
00340	20190169	MAINS CABLE
00341	70904182	
00344	20300059	FOOT
00350	70023955	BRACKEL
00353	20028940	SPRING
00354	20470081	SCREW M4 X 30
00360	20020732	ANTI VIBRATION MOUNT
00370	70902547	TEMP. SENSOR
00371	20220286	GRIP 6,5
00373	20440309	SCREW M4 X 35
00375	20220100	NUT PG 9
00400	20240464	COMPRESSOR
00403	20240453	FILTERDRYER
00406	20022579	CONDENSOR
00410	20210377	ANGLE
00414	20210375	FANMOTOR
00415	20210308	FAN BLADE

Spare-Part-List

75003082 . 03

MEGAFUGE 2.0R 120V 60HZ BAXTER

from Serial-No. 212369

to Serial-No. 226096

Index	Partno.	Text
00104	20290187	CABLE ENTRY
00105	20022401	DEPOSITE
00106	20290320	CABLE ENTRY
00107	20220107	CORD GRIP
00108	20220106	NUT
00109	20420026	NUT
00110	20002695	LID WITH WINDOW
00115	20052364	HINGE
00116	20490287	PIN
00117	20023748	HINGE BRACKET
00120	20052842	LID HOOK
00121	20420151	NUT M10 X 1.25
00123	20051919	HANDLE
00130	20022576	RUBBER FLANGE
00132	20510052	SCREW M4 X 10
00133	20310316	CLIP
00134	20056085	INSOLATION
00140	20180589	SWITCH
00141	20230168	FUSE 15A T
00142	20230167	FUSE HOLDER
00150	20130186	RELAY
00155	20540318	RC-COMBINATION
00160	20220490	TERMINAL CLAMP
00201	20022402	FRONT COVER
00202	20054824	FOIL MEGAFUGE 2.0R
00210	20150044	INDICATION AND KEY BOARD
00211	20460137	SCREW 3X8
00215	70902555	WIRING
00220	70055370	HOUSING
00224	20022578	BOTTOM PLATE
00227	20290516	SEAL
00230	70003724	LID LOCK
00231	70022477	FIXING CLAMP
00232	20440306	SCREW M5X40
00235	70022653	BASE
00240	20150092	MAINBOARD
00241	20230172	FUSE 15 A
00242	70000491	PROCESSOR

Spare-Part-List

75003082 . 03

MEGAFUGE 2.0R 120V 60HZ BAXTER

from Serial-No. 212369

to Serial-No. 226096

Index	Partno.	Text
00243	70903011	EEPROM MEGAFUGE 2.0R
00245	20170316	FERROXCUBE
00259	70055369	FRONTPANEL
00260	20210341	FAN
00265	20170330	FERROXCUBE
00270	20290534	NOZZLE
00273	20180138	CONNECTOR
00301	70904031	EVAPORATOR
00302	20310309	GAS LID STAY
00310	20210332	MOTOR red Leakage current
00311	20420070	NUT M 6
00312	20480251	SECURING WASHER
00313	20480301	Sand paper washer
00314	20052555	ANTI VIBRATION MOUNT
00315	20480251	SECURING WASHER
00316	20430220	SCREW M6X25
00317	20480193	WASHER
00318	20360047	BOX SPANNER
00319	70003100	COLLET CHUCK
00320	20150028	SPEED CONTROL BOARD
00323	70022632	BRACKET
00324	20250071	WASHER
00325	20220484	SPACER
00330	20160685	RESISTOR 150R 150W
00331	20220483	ANGLE
00335	70038969	INSULATING SHEET
00340	70002287	POWER SUPPLY CABLE
00341	20210325	FAN
00344	20300059	FOOT
00350	70023955	BRACKEL
00353	20028940	SPRING
00354	20470081	SCREW M4 X 30
00360	20020732	ANTI VIBRATION MOUNT
00370	70902547	TEMP. SENSOR
00371	20220286	GRIP 6,5
00373	20440309	SCREW M4 X 35
00375	20220100	NUT PG 9
00400	20240465	COMPRESSOR

Spare-Part-List

75003082 . 03

MEGAFUGE 2.0R 120V 60HZ BAXTER

from Serial-No. 212369

to Serial-No. 226096

Index	Partno.	Text
00403	20240453	FILTERDRYER
00406	20022579	CONDENSOR
00410	20210377	ANGLE
00414	20210376	FAN
00415	20210308	FAN BLADE

Spare-Part-List

75003082 .04

MEGAFUGE 2.0R 120V 60HZ BAXTER

from Serial-No. 226097

to Serial-No.

Index	Partno.	Text
00104	20290187	CABLE ENTRY
00105	20022401	DEPOSITE
00106	20290320	CABLE ENTRY
00107	20220107	CORD GRIP
00108	20220106	NUT
00109	20420026	NUT
00110	20002695	LID WITH WINDOW
00115	20052364	HINGE
00116	20490287	PIN
00117	20023748	HINGE BRACKET
00120	20052842	LID HOOK
00121	20420151	NUT M10 X 1.25
00123	20051919	HANDLE
00130	20022576	RUBBER FLANGE
00132	20510052	SCREW M4 X 10
00133	20310316	CLIP
00134	20056085	INSOLATION
00140	20180589	SWITCH
00160	20220490	TERMINAL CLAMP
00201	20022402	FRONT COVER
00202	20054824	FOIL MEGAFUGE 2.0R
00210	20150044	INDICATION AND KEY BOARD
00211	20460137	SCREW 3X8
00215	70902555	WIRING
00220	70055370	HOUSING
00224	20022578	BOTTOM PLATE
00227	20290516	SEAL
00230	70003724	LID LOCK
00231	70022477	FIXING CLAMP
00232	20440306	SCREW M5X40
00235	70022653	BASE
00240	20150092	MAINBOARD
00241	20230172	FUSE 15 A
00242	70000491	PROCESSOR
00243	70903011	EEPROM MEGAFUGE 2.0R
00245	20170316	FERROXCUBE
00259	70055369	FRONTPANEL
00260	20210341	FAN

Spare-Part-List

75003082 .04

MEGAFUGE 2.0R 120V 60HZ BAXTER

from Serial-No. 226097

to Serial-No.

Index	Partno.	Text
00265	20170330	FERROXCUBE
00270	20290534	NOZZLE
00273	20180138	CONNECTOR
00301	70904031	EVAPORATOR
00302	20310309	GAS LID STAY
00310	20210332	MOTOR red Leakage current
00311	20420070	NUT M 6
00312	20480251	SECURING WASHER
00313	20480301	Sand paper washer
00314	20052555	ANTI VIBRATION MOUNT
00315	20480251	SECURING WASHER
00316	20430220	SCREW M6X25
00317	20480193	WASHER
00318	20360047	BOX SPANNER
00319	70003100	COLLET CHUCK
00320	20150028	SPEED CONTROL BOARD
00323	70022632	BRACKET
00324	20250071	WASHER
00325	20220484	SPACER
00330	20160685	RESISTOR 150R 150W
00331	20220483	ANGLE
00335	70038969	INSULATING SHEET
00340	70002287	POWER SUPPLY CABLE
00341	20210325	FAN
00344	20300059	FOOT
00350	70023955	BRACKEL
00353	20028940	SPRING
00354	20470081	SCREW M4 X 30
00360	20020732	ANTI VIBRATION MOUNT
00370	70902547	TEMP. SENSOR
00371	20220286	GRIP 6,5
00373	20440309	SCREW M4 X 35
00375	20220100	NUT PG 9
00400	20240465	COMPRESSOR
00403	20240453	FILTERDRYER
00406	20022579	CONDENSOR
00410	20210377	ANGLE
00414	20210376	FAN

Spare-Part-List

75003082 .04

MEGAFUGE 2.0R 120V 60HZ BAXTER

from Serial-No. 226097

to Serial-No.

Index

Partno.

Text

00415

20210308

FAN BLADE

Spare-Part-List

75003083 .01

MEGAFUGE 2.0RS 120V 60HZ

from Serial-No.

to Serial-No. 230974

Index	Partno.	Text
00104	20290187	CABLE ENTRY
00105	20022401	DEPOSITE
00106	20290320	CABLE ENTRY
00107	20220107	CORD GRIP
00108	20220106	NUT
00109	20420026	NUT
00110	20002695	LID WITH WINDOW
00115	20052364	HINGE
00116	20490287	PIN
00117	20023748	HINGE BRACKET
00120	20052842	LID HOOK
00121	20420151	NUT M10 X 1.25
00123	20051919	HANDLE
00130	20022576	RUBBER FLANGE
00132	20510052	SCREW M4 X 10
00133	20310316	CLIP
00134	20056085	INSOLATION
00140	20180589	SWITCH
00141	20230168	FUSE 15A T
00142	20230167	FUSE HOLDER
00150	20130186	RELAY
00155	20540318	RC-COMBINATION
00160	20220490	TERMINAL CLAMP
00201	70054982	FRONTPANEL
00202	20904123	PANEL W FOIL
00203	20180601	KEY SWITCH
00210	20150161	PCB, DISPLAY - SEPA
00211	70049526	SPACER
00215	70902555	WIRING
00220	70055370	HOUSING
00224	20022578	BOTTOM PLATE
00227	20290516	SEAL
00230	70003724	LID LOCK
00231	70022477	FIXING CLAMP
00232	20440306	SCREW M5X40
00235	70022653	BASE
00240	20150092	MAINBOARD
00241	20230172	FUSE 15 A

Spare-Part-List

75003083 .01

MEGAFUGE 2.0RS 120V 60HZ

from Serial-No.

to Serial-No. 230974

Index	Partno.	Text
00242	20140498	CPU
00243	70903012	NV RAM
00244	70904301	EEPROM MEGAFUGE 2.0R
00245	20170316	FERROXCUBE
00259	70055369	FRONTPANEL
00260	20210341	FAN
00265	20170330	FERROXCUBE
00301	70904031	EVAPORATOR
00302	20310309	GAS LID STAY
00310	20210332	MOTOR red Leakage current
00311	20420070	NUT M 6
00312	20480251	SECURING WASHER
00313	20480301	Sand paper washer
00314	20052555	ANTI VIBRATION MOUNT
00315	20480251	SECURING WASHER
00316	20430220	SCREW M6X25
00317	20480193	WASHER
00318	20360047	BOX SPANNER
00319	70003100	COLLET CHUCK
00320	20150028	SPEED CONTROL BOARD
00323	70022632	BRACKET
00324	20250071	WASHER
00325	20220484	SPACER
00330	20160685	RESISTOR 150R 150W
00331	20220483	ANGLE
00335	70038969	INSULATING SHEET
00340	70002287	POWER SUPPLY CABLE
00341	20210325	FAN
00344	20300059	FOOT
00350	70023955	BRACKEL
00353	20028940	SPRING
00354	20470081	SCREW M4 X 30
00360	20020732	ANTI VIBRATION MOUNT
00370	70902547	TEMP. SENSOR
00371	20220286	GRIP 6,5
00373	20440309	SCREW M4 X 35
00375	20220100	NUT PG 9
00400	20240465	COMPRESSOR

Spare-Part-List

75003083 _ 01

MEGAFUGE 2.0RS 120V 60HZ

from Serial-No.

to Serial-No. 230974

Index	Partno.	Text
00403	20240453	FILTERDRYER
00406	20022579	CONDENSOR
00410	20210377	ANGLE
00414	20210376	FAN
00415	20210308	FAN BLADE

Spare-Part-List

75003083 .02

MEGAFUGE 2.0RS 120V 60HZ

from Serial-No. 230975

to Serial-No.

Index	Partno.	Text
00104	20290187	CABLE ENTRY
00105	20022401	DEPOSITE
00106	20290320	CABLE ENTRY
00107	20220107	CORD GRIP
00108	20220106	NUT
00109	20420026	NUT
00110	20002695	LID WITH WINDOW
00115	20052364	HINGE
00116	20490287	PIN
00117	20023748	HINGE BRACKET
00120	20052842	LID HOOK
00121	20420151	NUT M10 X 1.25
00123	20051919	HANDLE
00130	20022576	RUBBER FLANGE
00132	20510052	SCREW M4 X 10
00133	20310316	CLIP
00134	20056085	INSOLATION
00140	20180589	SWITCH
00160	20220490	TERMINAL CLAMP
00201	70054982	FRONTPANEL
00202	20904123	PANEL W FOIL
00203	20180601	KEY SWITCH
00210	20150161	PCB, DISPLAY - SEPA
00211	70049526	SPACER
00215	70902555	WIRING
00220	70055370	HOUSING
00224	20022578	BOTTOM PLATE
00227	20290516	SEAL
00230	70003724	LID LOCK
00231	70022477	FIXING CLAMP
00232	20440306	SCREW M5X40
00235	70022653	BASE
00240	20150092	MAINBOARD
00241	20230172	FUSE 15 A
00242	20140498	CPU
00243	70903012	NV RAM
00244	70904301	EEPROM MEGAFUGE 2.0R
00245	20170316	FERROXCUBE

Spare-Part-List

75003083 .02

MEGAFUGE 2.0RS 120V 60HZ

from Serial-No. 230975

to Serial-No.

Index	Partno.	Text
00259	70055369	FRONTPANEL
00260	20210341	FAN
00265	20170330	FERROXCUBE
00301	70904031	EVAPORATOR
00302	20310309	GAS LID STAY
00310	20210332	MOTOR red Leakage current
00311	20420070	NUT M 6
00312	20480251	SECURING WASHER
00313	20480301	Sand paper washer
00314	20052555	ANTI VIBRATION MOUNT
00315	20480251	SECURING WASHER
00316	20430220	SCREW M6X25
00317	20480193	WASHER
00318	20360047	BOX SPANNER
00319	70003100	COLLET CHUCK
00320	20150028	SPEED CONTROL BOARD
00323	70022632	BRACKET
00324	20250071	WASHER
00325	20220484	SPACER
00330	20160685	RESISTOR 150R 150W
00331	20220483	ANGLE
00335	70038969	INSULATING SHEET
00340	70002287	POWER SUPPLY CABLE
00341	20210325	FAN
00344	20300059	FOOT
00350	70023955	BRACKEL
00353	20028940	SPRING
00354	20470081	SCREW M4 X 30
00360	20020732	ANTI VIBRATION MOUNT
00370	70902547	TEMP. SENSOR
00371	20220286	GRIP 6,5
00373	20440309	SCREW M4 X 35
00375	20220100	NUT PG 9
00400	20240465	COMPRESSOR
00403	20240453	FILTERDRYER
00406	20022579	CONDENSOR
00410	20210377	ANGLE
00414	20210376	FAN

Spare-Part-List

75003083 .02

MEGAFUGE 2.0RS 120V 60HZ

from Serial-No. 230975

to Serial-No.

Index

Partno.

Text

00415

20210308

FAN BLADE

Spare-Part-List

75003085 .01

MEGAFUGE 2.0R 120V 60HZ

from Serial-No. 209462

to Serial-No. 236013

Index	Partno.	Text
00104	20290187	CABLE ENTRY
00105	20022401	DEPOSITE
00106	20290320	CABLE ENTRY
00107	20220107	CORD GRIP
00108	20220106	NUT
00109	20420026	NUT
00110	20002695	LID WITH WINDOW
00115	20052364	HINGE
00116	20490287	PIN
00117	20023748	HINGE BRACKET
00120	20052842	LID HOOK
00121	20420151	NUT M10 X 1.25
00123	20051919	HANDLE
00130	20022576	RUBBER FLANGE
00132	20510052	SCREW M4 X 10
00133	20310316	CLIP
00134	20056085	INSOLATION
00140	20180589	SWITCH
00141	20230168	FUSE 15A T
00142	20230167	FUSE HOLDER
00150	20130186	RELAY
00155	20540318	RC-COMBINATION
00160	20220490	TERMINAL CLAMP
00201	20022402	FRONT COVER
00202	20055575	FOIL MEGAFUGE 2.0 R
00210	20150044	INDICATION AND KEY BOARD
00211	20460137	SCREW 3X8
00215	70902555	WIRING
00220	70055370	HOUSING
00224	20022578	BOTTOM PLATE
00227	20290516	SEAL
00230	70003724	LID LOCK
00231	70022477	FIXING CLAMP
00232	20440306	SCREW M5X40
00235	70022653	BASE
00240	20150092	MAINBOARD
00241	20230172	FUSE 15 A
00242	70000491	PROCESSOR

Spare-Part-List

75003085 .01

MEGAFUGE 2.0R 120V 60HZ

from Serial-No. 209462

to Serial-No. 236013

Index	Partno.	Text
00243	70903011	EEPROM MEGAFUGE 2.0R
00245	20170316	FERROXCUBE
00259	70055369	FRONTPANEL
00260	20210341	FAN
00265	20170330	FERROXCUBE
00270	20290534	NOZZLE
00301	70904031	EVAPORATOR
00302	20310309	GAS LID STAY
00310	20210332	MOTOR red Leakage current
00311	20420070	NUT M 6
00312	20480251	SECURING WASHER
00313	20480301	Sand paper washer
00314	20052555	ANTI VIBRATION MOUNT
00315	20480251	SECURING WASHER
00316	20430220	SCREW M6X25
00317	20480193	WASHER
00318	20360047	BOX SPANNER
00319	70003100	COLLET CHUCK
00320	20150028	SPEED CONTROL BOARD
00323	70022632	BRACKET
00324	20250071	WASHER
00325	20220484	SPACER
00330	20160685	RESISTOR 150R 150W
00331	20220483	ANGLE
00335	70038969	INSULATING SHEET
00340	70002287	POWER SUPPLY CABLE
00341	20210325	FAN
00344	20300059	FOOT
00350	70023955	BRACKEL
00353	20028940	SPRING
00354	20470081	SCREW M4 X 30
00360	20020732	ANTI VIBRATION MOUNT
00370	70902547	TEMP. SENSOR
00371	20220286	GRIP 6,5
00373	20440309	SCREW M4 X 35
00375	20220100	NUT PG 9
00400	20240465	COMPRESSOR
00403	20240453	FILTERDRYER

Spare-Part-List

75003085 .01

MEGAFUGE 2.0R 120V 60HZ

from Serial-No. 209462

to Serial-No. 236013

Index	Partno.	Text
00406	20022579	CONDENSOR
00410	20210377	ANGLE
00414	20210376	FAN
00415	20210308	FAN BLADE

Spare-Part-List

75003085 .02

MEGAFUGE 2.0R 120V 60HZ

from Serial-No. 236014

to Serial-No.

Index	Partno.	Text
00104	20290187	CABLE ENTRY
00105	20022401	DEPOSITE
00106	20290320	CABLE ENTRY
00107	20220107	CORD GRIP
00108	20220106	NUT
00109	20420026	NUT
00110	20002695	LID WITH WINDOW
00115	20052364	HINGE
00116	20490287	PIN
00117	20023748	HINGE BRACKET
00120	20052842	LID HOOK
00121	20420151	NUT M10 X 1.25
00123	20051919	HANDLE
00130	20022576	RUBBER FLANGE
00132	20510052	SCREW M4 X 10
00133	20310316	CLIP
00134	20056085	INSOLATION
00140	20180589	SWITCH
00160	20220490	TERMINAL CLAMP
00201	20022402	FRONT COVER
00202	20055575	FOIL MEGAFUGE 2.0 R
00210	20150044	INDICATION AND KEY BOARD
00211	20460137	SCREW 3X8
00215	70902555	WIRING
00220	70055370	HOUSING
00224	20022578	BOTTOM PLATE
00227	20290516	SEAL
00230	70003724	LID LOCK
00231	70022477	FIXING CLAMP
00232	20440306	SCREW M5X40
00235	70022653	BASE
00240	20150092	MAINBOARD
00241	20230172	FUSE 15 A
00242	70000491	PROCESSOR
00243	70903011	EEPROM MEGAFUGE 2.0R
00245	20170316	FERROXCUBE
00259	70055369	FRONTPANEL
00260	20210341	FAN

Spare-Part-List

75003085 .02

MEGAFUGE 2.0R 120V 60HZ

from Serial-No. 236014

to Serial-No.

Index	Partno.	Text
00265	20170330	FERROXCUBE
00270	20290534	NOZZLE
00301	70904031	EVAPORATOR
00302	20310309	GAS LID STAY
00310	20210332	MOTOR red Leakage current
00311	20420070	NUT M 6
00312	20480251	SECURING WASHER
00313	20480301	Sand paper washer
00314	20052555	ANTI VIBRATION MOUNT
00315	20480251	SECURING WASHER
00316	20430220	SCREW M6X25
00317	20480193	WASHER
00318	20360047	BOX SPANNER
00319	70003100	COLLET CHUCK
00320	20150028	SPEED CONTROL BOARD
00323	70022632	BRACKET
00324	20250071	WASHER
00325	20220484	SPACER
00330	20160685	RESISTOR 150R 150W
00331	20220483	ANGLE
00335	70038969	INSULATING SHEET
00340	70002287	POWER SUPPLY CABLE
00341	20210325	FAN
00344	20300059	FOOT
00350	70023955	BRACKEL
00353	20028940	SPRING
00354	20470081	SCREW M4 X 30
00360	20020732	ANTI VIBRATION MOUNT
00370	70902547	TEMP. SENSOR
00371	20220286	GRIP 6,5
00373	20440309	SCREW M4 X 35
00375	20220100	NUT PG 9
00400	20240465	COMPRESSOR
00403	20240453	FILTERDRYER
00406	20022579	CONDENSOR
00410	20210377	ANGLE
00414	20210376	FAN
00415	20210308	FAN BLADE

Spare-Part-List

75015505 .01

MEGAFUGE 2.0 RS 230V 50 HZ

from Serial-No.

to Serial-No.

Index	Partno.	Text
00104	20290187	CABLE ENTRY
00105	20022401	DEPOSITE
00109	20420026	NUT
00110	20002695	LID WITH WINDOW
00115	20052364	HINGE
00116	20490287	PIN
00117	20023748	HINGE BRACKET
00120	20052842	LID HOOK
00121	20420151	NUT M10 X 1.25
00123	20051919	HANDLE
00130	20022576	RUBBER FLANGE
00133	20310316	CLIP
00134	20056085	INSOLATION
00201	70054982	FRONTPANEL
00202	20904123	PANEL W FOIL
00203	20180601	KEY SWITCH
00210	20150161	PCB, DISPLAY - SEPA
00211	70049526	SPACER
00215	70902555	WIRING
00220	70055370	HOUSING
00224	20022578	BOTTOM PLATE
00227	20290516	SEAL
00230	70003700	LID LOCK ASSY
00231	70022477	FIXING CLAMP
00232	20440306	SCREW M5X40
00235	70022653	BASE
00240	20150091	MAINBOARD
00241	20230122	FUSE 16 AT
00242	20140498	CPU
00243	70903012	NV RAM
00244	70904301	EEPROM MEGAFUGE 2.0R
00245	20170316	FERROXCUBE
00259	70055369	FRONTPANEL
00260	20210340	FAN
00270	20290534	NOZZLE
00273	20180138	CONNECTOR
00301	70904031	EVAPORATOR
00302	20310309	GAS LID STAY

Spare-Part-List

75015505 .01

MEGAFUGE 2.0 RS 230V 50 HZ

from Serial-No.

to Serial-No.

Index	Partno.	Text
00310	20210353	MOTOR
00311	20420070	NUT M 6
00312	20480251	SECURING WASHER
00313	20480301	Sand paper washer
00314	20052555	ANTI VIBRATION MOUNT
00315	20480251	SECURING WASHER
00316	20430220	SCREW M6X25
00317	20480193	WASHER
00318	20360047	BOX SPANNER
00319	70003100	COLLET CHUCK
00320	20150028	SPEED CONTROL BOARD
00323	70022632	BRACKET
00324	20250071	WASHER
00325	20220484	SPACER
00330	20160685	RESISTOR 150R 150W
00331	20220483	ANGLE
00335	70038969	INSULATING SHEET
00340	20190169	MAINS CABLE
00341	70904182	
00344	20300059	FOOT
00350	70023955	BRACKEL
00353	20028940	SPRING
00354	20470081	SCREW M4 X 30
00360	20020732	ANTI VIBRATION MOUNT
00370	70902547	TEMP. SENSOR
00371	20220286	GRIP 6,5
00373	20440309	SCREW M4 X 35
00375	20220100	NUT PG 9
00400	20240464	COMPRESSOR
00403	20240453	FILTERDRYER
00406	20022579	CONDENSOR
00410	20210377	ANGLE
00414	20210375	FANMOTOR
00415	20210308	FAN BLADE

Spare-Part-List

75015552 .01

MEGAFUGE 1.0RS 230V 1N 50HZ

from Serial-No.

to Serial-No.

Index	Partno.	Text
00101	70022620	BACK PANEL
00104	20290187	CABLE ENTRY
00105	20022401	DEPOSITE
00109	20420026	NUT
00110	20002695	LID WITH WINDOW
00115	20052364	HINGE
00116	20490287	PIN
00117	20023748	HINGE BRACKET
00120	20052842	LID HOOK
00121	20420151	NUT M10 X 1.25
00123	20051919	HANDLE
00130	20022576	RUBBER FLANGE
00133	20310316	CLIP
00134	20056085	INSOLATION
00201	70054982	FRONTPANEL
00202	20904124	FRONTPANEL
00203	20180601	KEY SWITCH
00210	20150161	PCB, DISPLAY - SEPA
00211	70049526	SPACER
00215	70902555	WIRING
00220	70055370	HOUSING
00223	20310264	CAP
00224	20022578	BOTTOM PLATE
00227	20290516	SEAL
00230	70003700	LID LOCK ASSY
00231	70022477	FIXING CLAMP
00232	20440306	SCREW M5X40
00235	70022653	BASE
00240	20150091	MAINBOARD
00241	20230122	FUSE 16 AT
00242	20140498	CPU
00243	70903012	NV RAM
00244	70904300	EEPROM MEGAFUGE 1.0R
00245	20170316	FERROXCUBE
00259	70055369	FRONTPANEL
00260	20210340	FAN
00270	20290534	NOZZLE
00273	20180138	CONNECTOR

Spare-Part-List

75015552 .01

MEGAFUGE 1.0RS 230V 1N 50HZ

from Serial-No.

to Serial-No.

Index	Partno.	Text
00301	70904031	EVAPORATOR
00302	20310309	GAS LID STAY
00310	20210353	MOTOR
00311	20420070	NUT M 6
00312	20480251	SECURING WASHER
00313	20480301	Sand paper washer
00314	20052555	ANTI VIBRATION MOUNT
00315	20480251	SECURING WASHER
00316	20430220	SCREW M6X25
00317	20480193	WASHER
00318	20360047	BOX SPANNER
00319	70003100	COLLET CHUCK
00320	20150028	SPEED CONTROL BOARD
00323	70022632	BRACKET
00324	20250071	WASHER
00325	20220484	SPACER
00330	20160685	RESISTOR 150R 150W
00331	20220483	ANGLE
00335	70038969	INSULATING SHEET
00340	20190169	MAINS CABLE
00341	70904182	
00344	20300059	FOOT
00350	70023955	BRACKEL
00353	20028940	SPRING
00354	20470081	SCREW M4 X 30
00360	20020732	ANTI VIBRATION MOUNT
00370	70902547	TEMP. SENSOR
00371	20220286	GRIP 6,5
00373	20440309	SCREW M4 X 35
00375	20220100	NUT PG 9
00400	20240464	COMPRESSOR
00403	20240453	FILTERDRYER
00406	20022579	CONDENSOR
00410	20210377	ANGLE
00414	20210375	FANMOTOR
00415	20210308	FAN BLADE