

10 General arrangement of the components

Item	Designation
1	Lid
2	Lid inner cover ROTINA 380
3	Lid inner cover ROTINA 380 R
4	Hinge
5	Pneumatic spring
6	Packing ring
7	Front panel ROTINA 380
8	Front panel ROTINA 380 R
9	Operating panel - electronics
10	Rotary encoder with cable
11	Rotary knob with flat spring
12	Motor cover
13	Motor Folded bellow (only ROTINA 380 R)
14	Motor
15	Speed sensor (on top of the motor)
16	Speed/imbalance sensor (at the bottom of the motor)
17	Rubber-metal bearing
18	Anti-twist device
19	Appliance plug with radio interference suppression filter (only ROTINA 380 / 380 R, 230 V version)
20	Appliance plug with radio interference suppression filter (only ROTINA 380 / 380 R, 120 V version)
21	ON-OFF switch (only ROTINA 380, 230 V version)
22	ON-OFF switch (only ROTINA 380, 120 V version)
23	ON-OFF switch (only ROTINA 380 R, 230 V version)
24	ON-OFF switch (only ROTINA 380 R, 120 V version)
25	Transformer (only ROTINA 380 / 380 R, 120 V version)
26	Circuit breaker (only ROTINA 380 / 380 R, 120 V version)
27	Electronics ROTINA 380
28	Electronics ROTINA 380 R
29	Supporting sheet for Electronics
30	Flat ribbon cable (20-pole)
31	Brake resistor with overtemperature switch
32	Ventilation duct (only ROTINA 380)
33	Compressor (only ROTINA 380 R, 230 V version)
34	Compressor (only ROTINA 380 R, 120 V version)
35	Starting relay (only ROTINA 380 R, 230 V version)
36	Starting relay (only ROTINA 380 R, 120 V version)
37	Starting capacitor (only ROTINA 380 R, 230 V version)
38	Starting capacitor (only ROTINA 380 R, 120 V version)
39	Temperature sensor (B1) in the centrifuge chamber (only ROTINA 380 R)
40	Temperature sensor (B3) at the condenser (only ROTINA 380 R)
41	Fan at the condenser (only ROTINA 380 R)
42	Fan for cooling the motor (only ROTINA 380 R)
43	Ventilation grille
44	Rubber foot
45	Right lid lock complete
46	Eccentric disc
47	Contact spring
48	Sliding block
49	Left lid lock complete
50	Tension spring
51	Connecting rod

ITEM

1	111.85.20.01.1
2	111.80.70.00
3	111.85.70.00
4	111.32.73.00
5	E3055
6	E3054
7	111.80.00.03
8	E3028
9	E2782
10	E2342
11	E2341
12	E907
13	E908
14	OCM-33L
15	E906
16	E2465
17	E3053
18	E732
19	<230V>
20	905.19.96
21	<230V>
22	E1008
23	<230V>
24	E1005
25	E3100
26	E2941
27	E3084
28	E3102
29	111.80.40.01.1
30	E2863
31	E2861
32	E1240
33	<230V>
34	E3001
35	<230V>
36	E3002
37	<230V>
38	E3003
39	E2742
40	111.85.99.05
41	5873
42	3651
43	908.04.11.02
44	111.80.10.05
45	E2760
46	E2763
47	E2772
48	E2327
49	E2759
50	E2152
51	111.80.26.03

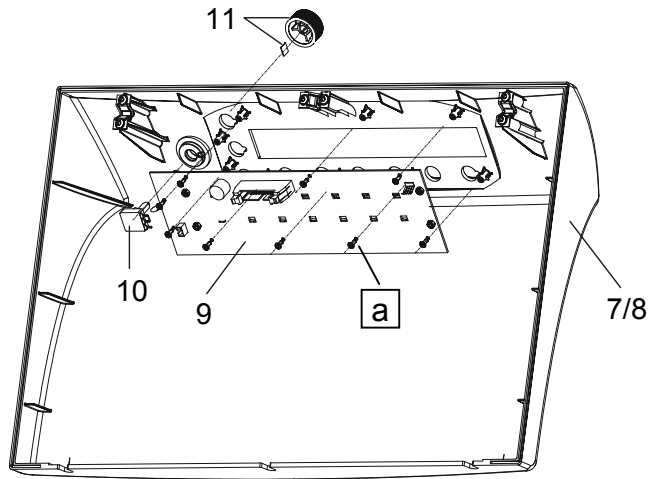


Fig. 9

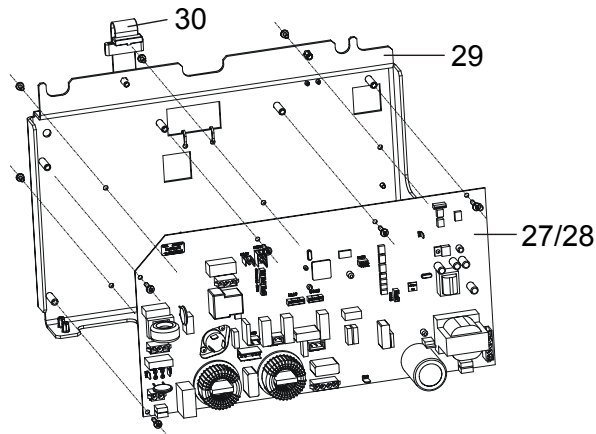


Fig. 10

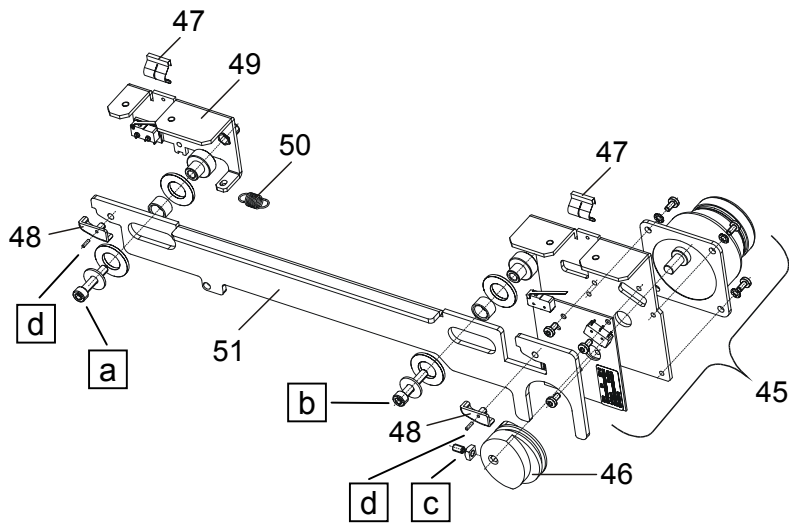


Fig. 11