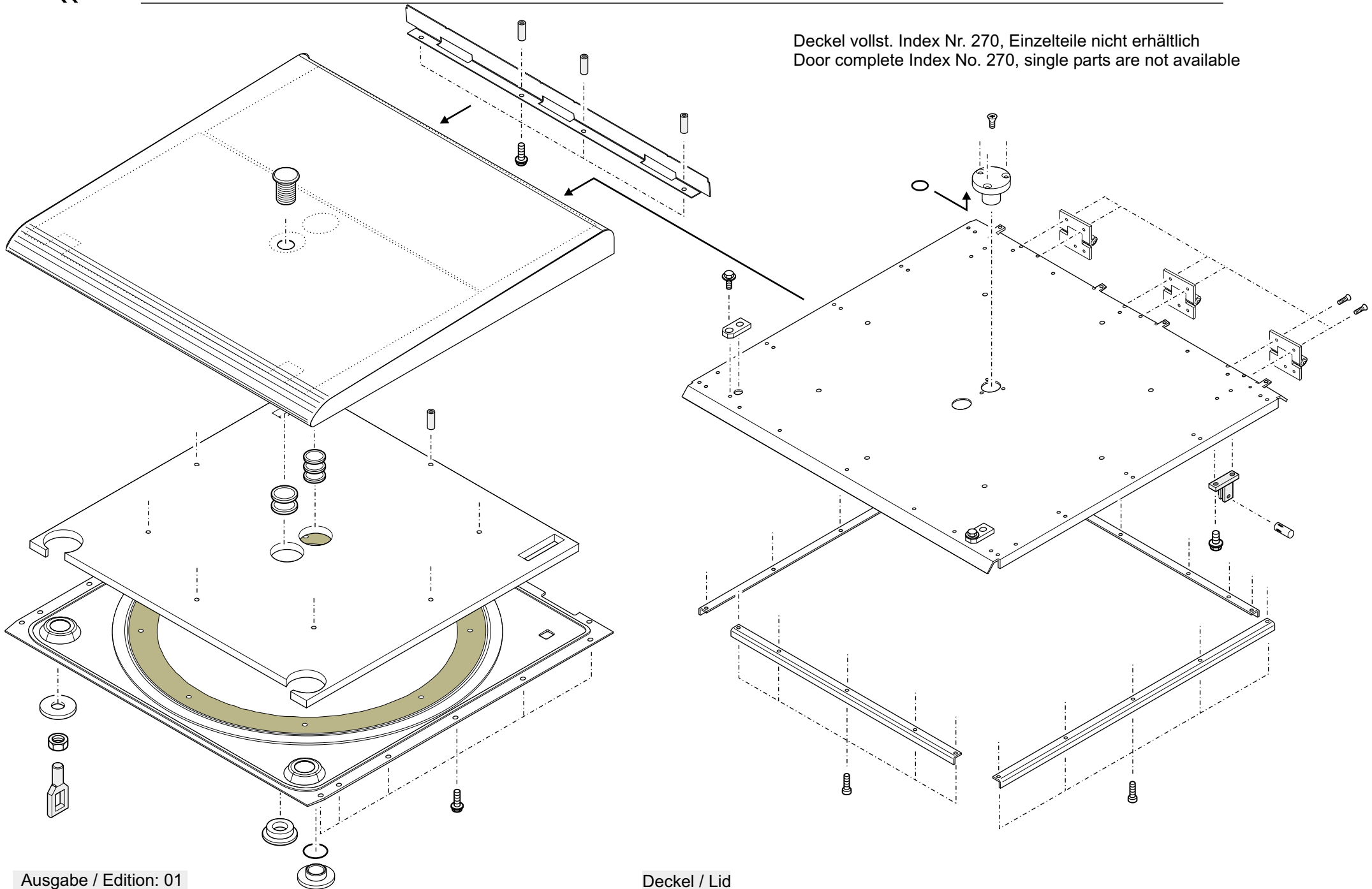
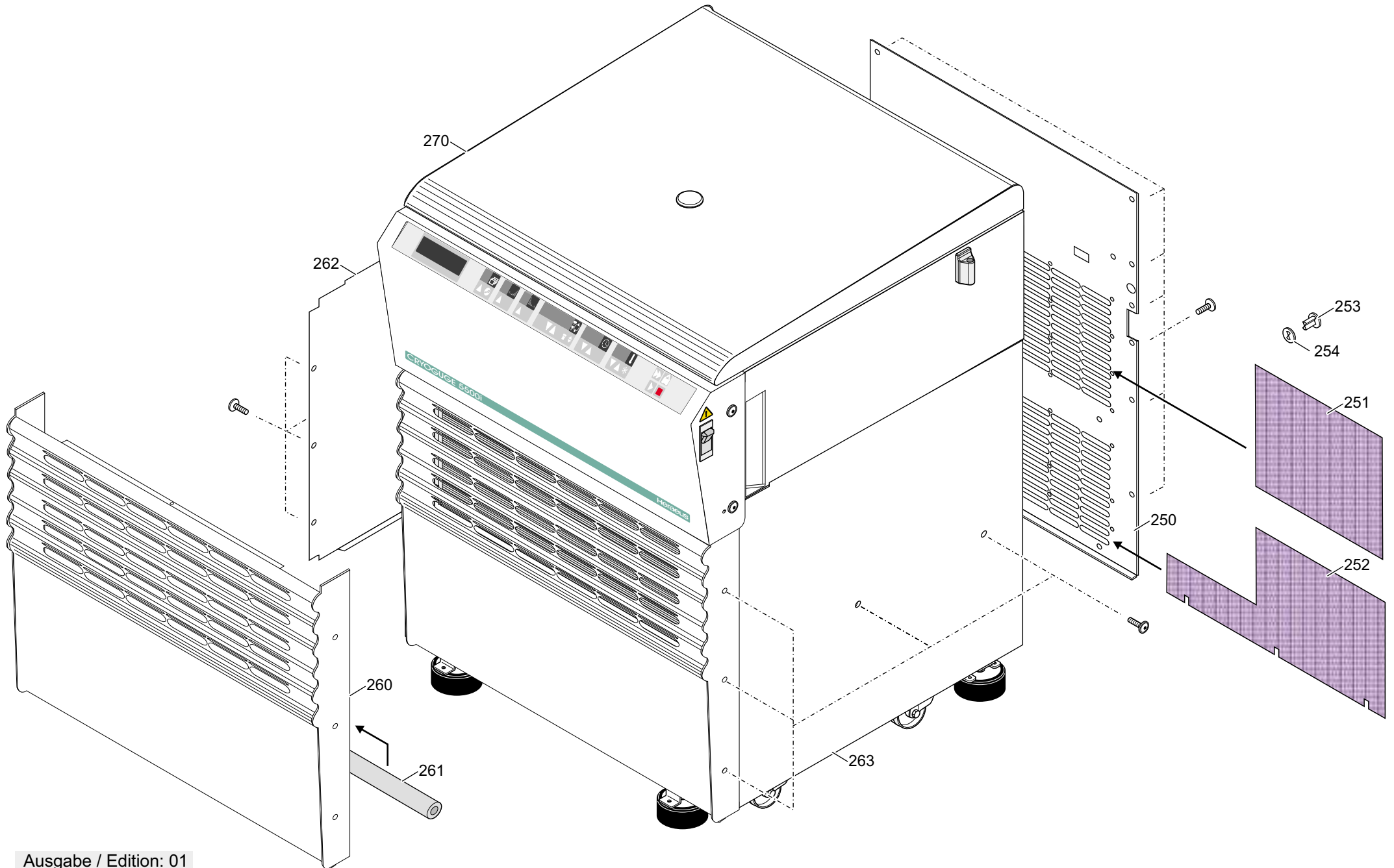
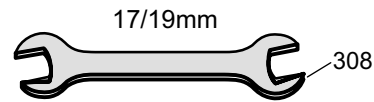
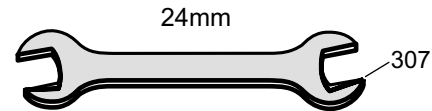
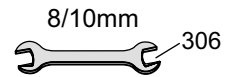
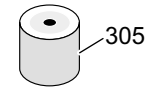


Deckel vollst. Index Nr. 270, Einzelteile nicht erhältlich
Door complete Index No. 270, single parts are not available

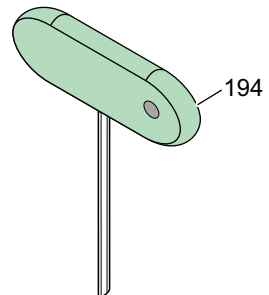




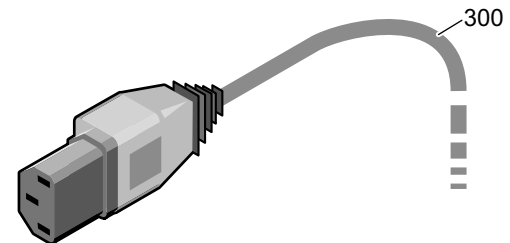
Libelle / Bubble



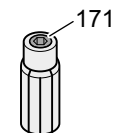
Sechskant-Schraubendreher / Screw Driver

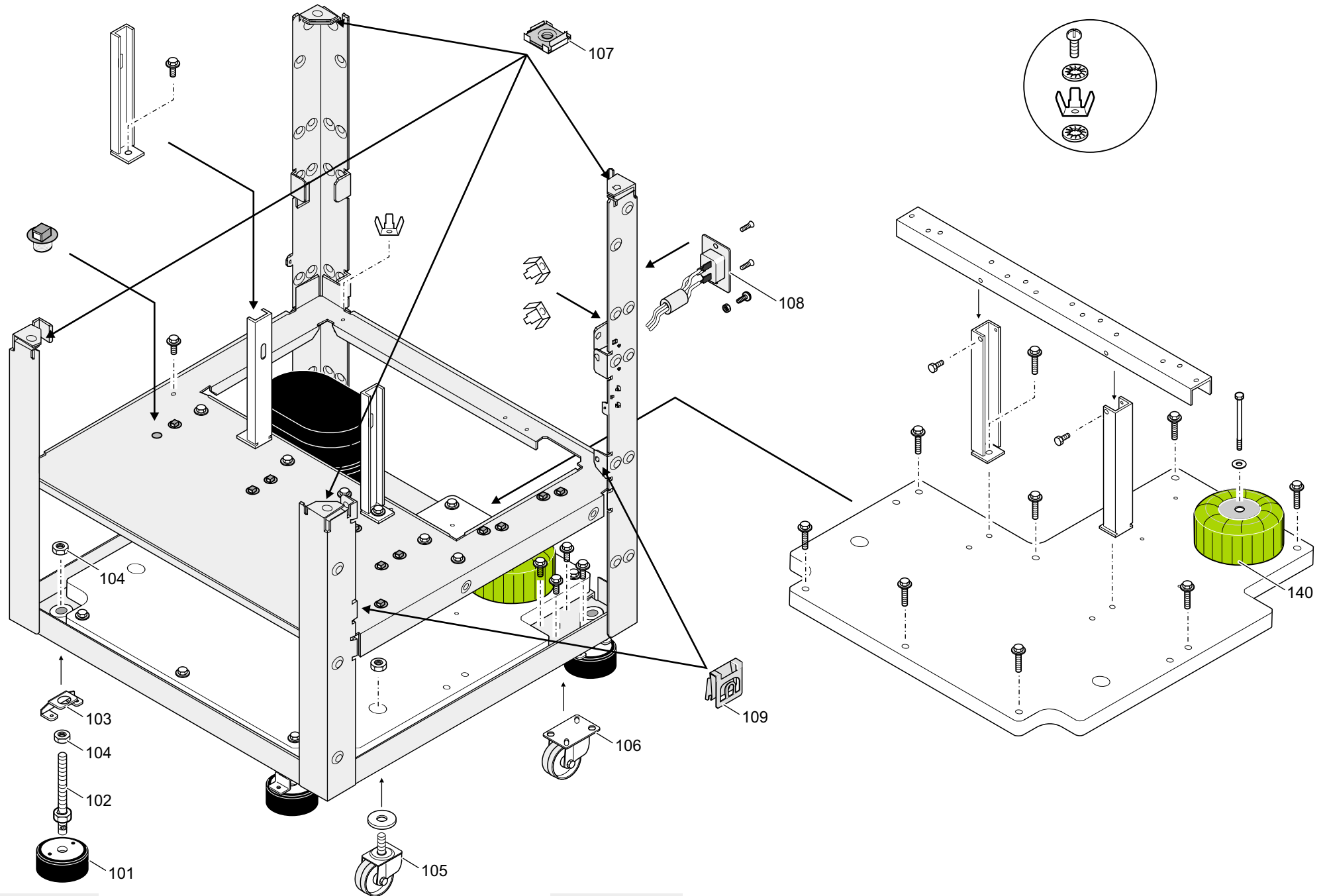


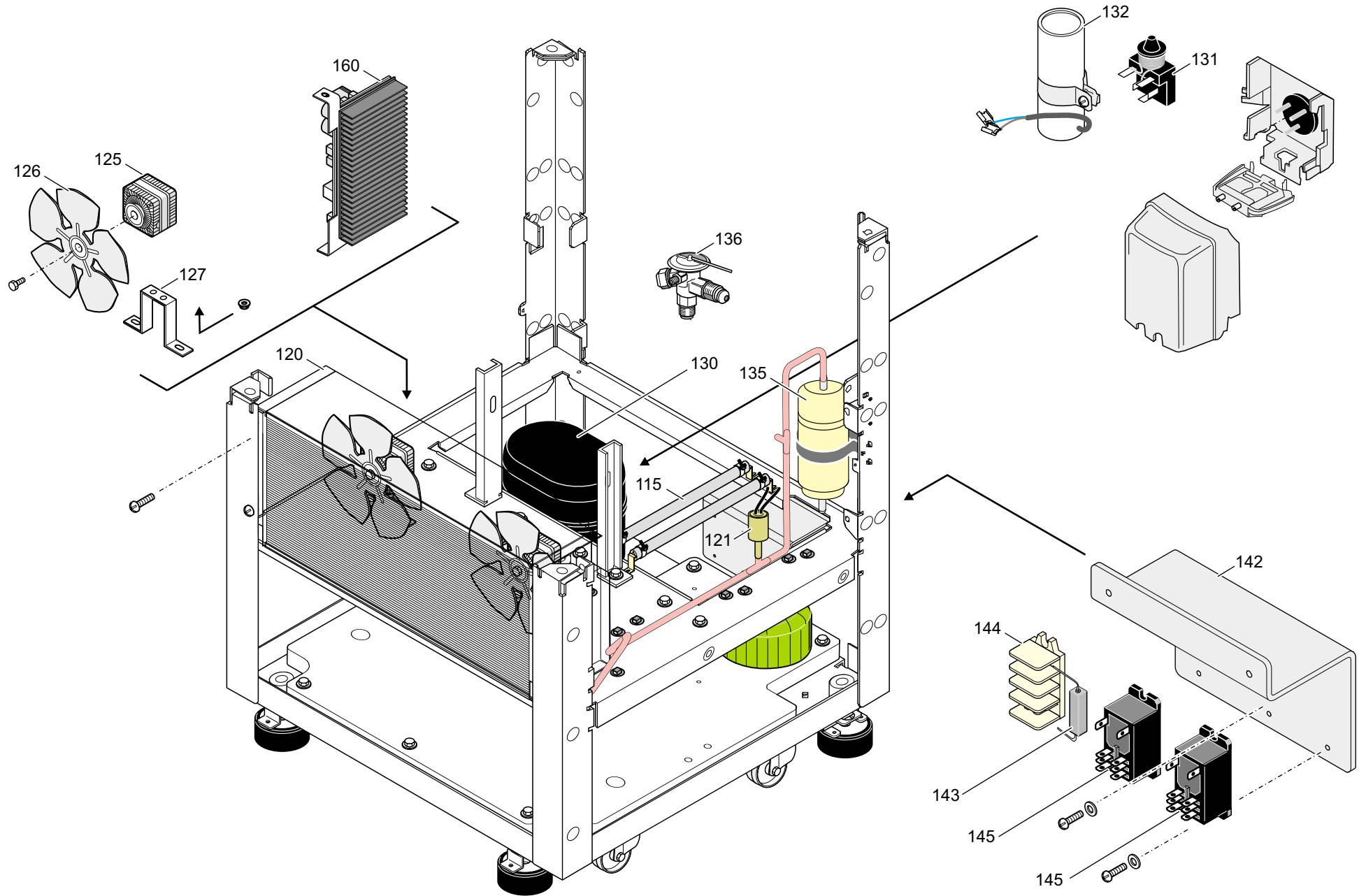
Stromversorgungskable / Mains Cable



Spannzange / Collet Chuck







Spare-Part-List

Kendro Laboratory Products

75004475 . 01

Plant Osterode
CRYOFUGE 5500i 120V 60HZ HERAEUS

from Serial-No.

to Serial-No.

Index	Partno.	Text
00101	20907075	FOOT
00102	70054668	SCREW, ADJUSTABLE
00103	70060375	Holder
00104	20420157	NUT
00105	20280150	Castor movable
00106	70060374	Castor not movable
00107	20420204	Nut Cage M8
00108	20180661	SOCKET
00109	20420026	NUT
00115	20160685	RESISTOR 150R 150W
00120	20057399	Condenser
00121	20240592	HIGH PRESSURE CONTROLL SWITC
00125	20210407	Fanmotor 10W
00126	20210405	fan blade
00127	20210377	ANGLE
00130	20240465	COMPRESSOR
00131	20130303	Start assy f 20240465
00132	20540366	Startcapacitor f 20240465
00135	20240618	Filter dryer
00136	20240626	Injection valve
00140	20170327	AUTO-TRANSFORMER 115/225V 7A
00142	50070823	
00143	20160546	RESISTOR 3R3 9W
00144	20220625	Terminal 4 pole
00145	20130221	RELAIS
00150	70057361	BASE
00151	20038955	ANTIVIBRATION MOUNT
00152	10104080	WASHER (SAND)
00155	70907206	Wiring RS 232
00156	20220489	SCREW COMPLETE
00157	20023748	HINGE BRACKET
00158	20430312	Ear-screw
00159	20220472	PLASTIC RING
00160	20150203	Power Factor Correction Vers.03
00170	20210400	Motor 3Ph
00171	20904430	COLLET CHUCK
00172	20150201	Speed and Imbalance recognition boar
00173	20057942	Damperring

Spare-Part-List

Kendro Laboratory Products

Plant Osterode

75004475 . 01

CRYOFUGE 5500i 120V 60HZ HERAEUS

from Serial-No.

to Serial-No.

Index	Partno.	Text
00175	70907234	Motorcover assy
00176	20510368	Screw M5x8
00180	70907101	Evaporator
00181	20055509	SUPPORT
00182	20250074	WASHER
00183	20470253	SCREW, PLASTIC
00184	20140612	Temperature Sensor
00185	20310446	GAS LID STAY
00186	20490287	PIN
00190	70057344	BENCH TOP
00191	20057924	Slide
00192	20057553	Holder, Tool-
00193	20057365	SEAL
00194	20360073	SCREW DRIVER
00200	70904565	Latch automatic
00210	20150200	Mainboard 230V
00211	70000530	CPU Multifuge 4
00212	70907230	NV RAM Parameter 120V
00213	70907211	NV RAM Multi 4 Profile
00214	70907212	NV RAM Multi 4 Imbalance
00215	20170316	FERROXCUBE
00216	20170329	Ferroxcube ring
00220	20310316	CLIP
00230	70907103	FRONTPANEL
00231	20057362	Overlay Multi 4
00232	20057964	Overlay Cryofuge 5500i
00233	20150198	Display board
00234	20057921	Overlay Multi 4
00235	20180705	Overload switch 2pole 20A
00236	20180668	FRAME FOR 20180659
00237	20310307	Label Warning
00238	70907205	Wiring Display board
00239	20057955	Spacer
00250	70060349	Panel rear
00251	20057949	Grill
00252	20057948	Grill
00253	20220618	Rivet
00254	20220617	Snap-Ring

Spare-Part-List**Kendro Laboratory Products**

Plant Osterode

75004475 . 01**CRYOFUGE 5500i 120V 60HZ HERAEUS**

from Serial-No.

to Serial-No.

Index	Partno.	Text
00260	70904558	Grill
00261	20290291	HOSE ARMAFLEX
00262	70060350	Panel left
00263	70060351	Panel right
00270	70907231	Lid complete
00300	20190274	POWER CORD 20A/125V
00305	20280119	WATER-LEVEL
00306	20360001	SPANNER 8MM
00307	20360008	SPANNER
00308	20034416	WRENCH

Spare-Part-List

Kendro Laboratory Products

Plant Osterode

75004477 .01

RC-4, 120V 60HZ SORVALL

from Serial-No.

to Serial-No.

Index	Partno.	Text
00101	20907075	FOOT
00102	70054668	SCREW, ADJUSTABLE
00103	70060375	Holder
00104	20420157	NUT
00105	20280150	Castor movable
00106	70060374	Castor not movable
00107	20420204	Nut Cage M8
00108	20180661	SOCKET
00109	20420026	NUT
00115	20160685	RESISTOR 150R 150W
00120	20057399	Condenser
00121	20240592	HIGH PRESSURE CONTROLL SWITC
00125	20210407	Fanmotor 10W
00126	20210405	fan blade
00127	20210377	ANGLE
00130	20240465	COMPRESSOR
00131	20130303	Start assy f 20240465
00132	20540366	Startcapacitor f 20240465
00135	20240618	Filter dryer
00136	20240626	Injection valve
00140	20170327	AUTO-TRANSFORMER 115/225V 7A
00142	50070823	
00143	20160546	RESISTOR 3R3 9W
00144	20220625	Terminal 4 pole
00145	20130221	RELAIS
00150	70057361	BASE
00151	20038955	ANTIVIBRATION MOUNT
00152	10104080	WASHER (SAND)
00155	70907206	Wiring RS 232
00156	20220489	SCREW COMPLETE
00157	20023748	HINGE BRACKET
00158	20430312	Ear-screw
00159	20220472	PLASTIC RING
00160	20150203	Power Factor Correction Vers.03
00170	20210400	Motor 3Ph
00171	20904430	COLLET CHUCK
00172	20150201	Speed and Imbalance recognition boar
00173	20057942	Damperring

Spare-Part-List

Kendro Laboratory Products

Plant Osterode

75004477 . 01

RC-4, 120V 60HZ SORVALL

from Serial-No.

to Serial-No.

Index	Partno.	Text
00175	70907234	Motorcover assy
00176	20510368	Screw M5x8
00180	70907101	Evaporator
00181	20055509	SUPPORT
00182	20250074	WASHER
00183	20470253	SCREW, PLASTIC
00184	20140612	Temperature Sensor
00185	20310446	GAS LID STAY
00186	20490287	PIN
00190	70057344	BENCH TOP
00191	20057924	Slide
00192	20057553	Holder, Tool-
00193	20057365	SEAL
00194	20360073	SCREW DRIVER
00200	70904565	Latch automatic
00210	20150200	Mainboard 230V
00211	70000530	CPU Multifuge 4
00212	70907230	NV RAM Parameter 120V
00213	70907211	NV RAM Multi 4 Profile
00214	70907212	NV RAM Multi 4 Imbalance
00215	20170316	FERROXCUBE
00216	20170329	Ferroxcube ring
00220	20310316	CLIP
00230	70907103	FRONTPANEL
00231	20057362	Overlay Multi 4
00232	20057968	Overlay Sorvall RC-4
00233	20150198	Display board
00234	20057921	Overlay Multi 4
00235	20180705	Overload switch 2pole 20A
00236	20180668	FRAME FOR 20180659
00237	20310307	Label Warning
00238	70907205	Wiring Display board
00239	20057955	Spacer
00250	70060349	Panel rear
00251	20057949	Grill
00252	20057948	Grill
00253	20220618	Rivet
00254	20220617	Snap-Ring

Spare-Part-List**Kendro Laboratory Products**

Plant Osterode

75004477 . 01**RC-4, 120V 60HZ SORVALL**

from Serial-No.

to Serial-No.

Index	Partno.	Text
00260	70904558	Grill
00261	20290291	HOSE ARMAFLEX
00262	70060350	Panel left
00263	70060351	Panel right
00270	70907231	Lid complete
00300	20190274	POWER CORD 20A/125V
00305	20280119	WATER-LEVEL
00306	20360001	SPANNER 8MM
00307	20360008	SPANNER
00308	20034416	WRENCH

Spare-Part-List

Kendro Laboratory Products

Plant Osterode

75004479 .01

CRYOFUGE 5500i, 200-230V 60 HZ HERAEUS

from Serial-No.

to Serial-No.

Index	Partno.	Text
00101	20907075	FOOT
00102	70054668	SCREW, ADJUSTABLE
00103	70060375	Holder
00104	20420157	NUT
00105	20280150	Castor movable
00106	70060374	Castor not movable
00107	20420204	Nut Cage M8
00108	20180661	SOCKET
00109	20420026	NUT
00115	20160685	RESISTOR 150R 150W
00120	20057399	Condenser
00121	20240592	HIGH PRESSURE CONTROLL SWIT
00125	20210407	Fanmotor 10W
00126	20210405	fan blade
00127	20210377	ANGLE
00130	20240624	Compressor J6220 208-230/1/60
00131	20130305	Potential relay of 20240624
00132	20540369	Start Capacitor of 20240624
00133	20180707	Klixon of 20240624
00135	20240618	Filter dryer
00136	20240610	Injection valve
00140	70907229	Transformer 200/225V
00142	50070020	Bracket
00143	20180704	Switch 2 pole 15A
00144	20220625	Terminal 4 pole
00145	20130221	RELAIS
00150	70057361	BASE
00151	20038955	ANTIVIBRATION MOUNT
00152	10104080	WASHER (SAND)
00155	70907206	Wiring RS 232
00156	20220489	SCREW COMPLETE
00157	20023748	HINGE BRACKET
00158	20430312	Ear-screw
00159	20220472	PLASTIC RING
00160	20150203	Power Factor Correction Vers.03
00170	20210400	Motor 3Ph
00171	20904430	COLLET CHUCK
00172	20150201	Speed and Imbalance recognition boar

Spare-Part-List

Kendro Laboratory Products

Plant Osterode

75004479 .01

CRYOFUGE 5500i, 200-230V 60 HZ HERAEUS

from Serial-No.

to Serial-No.

Index	Partno.	Text
00173	20057942	Damperring
00175	70907234	Motorcover assy
00176	20510368	Screw M5x8
00180	70907101	Evaporator
00181	20055509	SUPPORT
00182	20250074	WASHER
00183	20470253	SCREW, PLASTIC
00184	20140612	Temperature Sensor
00185	20310446	GAS LID STAY
00186	20490287	PIN
00190	70057344	BENCH TOP
00191	20057924	Slide
00192	20057553	Holder, Tool-
00193	20057365	SEAL
00194	20360073	SCREW DRIVER
00200	70904565	Latch automatic
00210	20150200	Mainboard 230V
00211	70000530	CPU Multifuge 4
00212	70907210	NV RAM Multi 4
00213	70907211	NV RAM Multi 4 Profile
00214	70907212	NV RAM Multi 4 Imbalance
00215	20170316	FERROXCUBE
00216	20170329	Ferroxcube ring
00220	20310316	CLIP
00230	70907103	FRONTPANEL
00231	20057362	Overlay Multi 4
00232	20057964	Overlay Cryofuge 5500i
00233	20150198	Display board
00234	20057921	Overlay Multi 4
00235	20180671	SWITCH W OVERLOADPROT. 16 A
00236	20180668	FRAME FOR 20180659
00237	20310307	Label Warning
00238	70907205	Wiring Display board
00239	20057955	Spacer
00250	70060395	Back panel RC4 208V
00251	20057949	Grill
00252	20057948	Grill
00253	20220618	Rivet

Spare-Part-List**Kendro Laboratory Products**

Plant Osterode

75004479 .01**CRYOFUGE 5500i, 200-230V 60 HZ HERAEUS**

from Serial-No.

to Serial-No.

Index	Partno.	Text
00254	20220617	Snap-Ring
00260	70904558	Grill
00261	20290291	HOSE ARMAFLEX
00262	70060350	Panel left
00263	70060351	Panel right
00270	70907231	Lid complete
00300	20190309	Power Cord USA 2pole 250V 20A
00305	20280119	WATER-LEVEL
00306	20360001	SPANNER 8MM
00307	20360008	SPANNER
00308	20034416	WRENCH

Spare-Part-List

Kendro Laboratory Products

Plant Osterode

75004481 . 01

RC-4 200-230V/60Hz, 200V/50HZ SORVALL

from Serial-No.

to Serial-No.

Index	Partno.	Text
00101	20907075	FOOT
00102	70054668	SCREW, ADJUSTABLE
00103	70060375	Holder
00104	20420157	NUT
00105	20280150	Castor movable
00106	70060374	Castor not movable
00107	20420204	Nut Cage M8
00108	20180661	SOCKET
00109	20420026	NUT
00115	20160685	RESISTOR 150R 150W
00120	20057399	Condenser
00121	20240592	HIGH PRESSURE CONTROLL SWITC
00125	20210407	Fanmotor 10W
00126	20210405	fan blade
00127	20210377	ANGLE
00130	20240624	Compressor J6220 208-230/1/60
00131	20130305	Potential relay of 20240624
00132	20540369	Start Capacitor of 20240624
00133	20180707	Klixon of 20240624
00135	20240618	Filter dryer
00136	20240610	Injection valve
00140	70907229	Transformer 200/225V
00142	50070020	Bracket
00143	20180704	Switch 2 pole 15A
00144	20220625	Terminal 4 pole
00145	20130221	RELAIS
00150	70057361	BASE
00151	20038955	ANTIVIBRATION MOUNT
00152	10104080	WASHER (SAND)
00155	70907206	Wiring RS 232
00156	20220489	SCREW COMPLETE
00157	20023748	HINGE BRACKET
00158	20430312	Ear-screw
00159	20220472	PLASTIC RING
00160	20150203	Power Factor Correction Vers.03
00170	20210400	Motor 3Ph
00171	20904430	COLLET CHUCK
00172	20150201	Speed and Imbalance recognition boar

Spare-Part-List

Kendro Laboratory Products

Plant Osterode

75004481 . 01

RC-4 200-230V/60Hz, 200V/50HZ SORVALL

from Serial-No.

to Serial-No.

Index	Partno.	Text
00173	20057942	Damperring
00175	70907234	Motorcover assy
00176	20510368	Screw M5x8
00180	70907101	Evaporator
00181	20055509	SUPPORT
00182	20250074	WASHER
00183	20470253	SCREW, PLASTIC
00184	20140612	Temperature Sensor
00185	20310446	GAS LID STAY
00186	20490287	PIN
00190	70057344	BENCH TOP
00191	20057924	Slide
00192	20057553	Holder, Tool-
00193	20057365	SEAL
00194	20360073	SCREW DRIVER
00200	70904565	Latch automatic
00210	20150200	Mainboard 230V
00211	70000530	CPU Multifuge 4
00212	70907210	NV RAM Multi 4
00213	70907211	NV RAM Multi 4 Profile
00214	70907212	NV RAM Multi 4 Imbalance
00215	20170316	FERROXCUBE
00216	20170329	Ferroxcube ring
00220	20310316	CLIP
00230	70907103	FRONTPANEL
00231	20057362	Overlay Multi 4
00232	20057968	Overlay Sorvall RC-4
00233	20150198	Display board
00234	20057921	Overlay Multi 4
00235	20180671	SWITCH W OVERLOADPROT. 16 A
00236	20180668	FRAME FOR 20180659
00237	20310307	Label Warning
00238	70907205	Wiring Display board
00239	20057955	Spacer
00250	70060395	Back panel RC4 208V
00251	20057949	Grill
00252	20057948	Grill
00253	20220618	Rivet

Spare-Part-List**Kendro Laboratory Products**

Plant Osterode

75004481 . 01**RC-4 200-230V/60Hz, 200V/50HZ SORVALL**

from Serial-No.

to Serial-No.

Index	Partno.	Text
00254	20220617	Snap-Ring
00260	70904558	Grill
00261	20290291	HOSE ARMAFLEX
00262	70060350	Panel left
00263	70060351	Panel right
00270	70907231	Lid complete
00300	20190309	Power Cord USA 2pole 250V 20A
00305	20280119	WATER-LEVEL
00306	20360001	SPANNER 8MM
00307	20360008	SPANNER
00308	20034416	WRENCH