 Part of Thermo Fisher Scientific		Technical Service Bulletin	
Product Line: General purpose Centrifuge	Bulletin Number: 1401-CEN-OHA-0544 revised 3rd	Issue Date: 03/06/15 "DD/MM/YY"	Page Number: Page 1 of 3
DISCLAIMER: This Technical Service Bulletin (TSB) and any attachments may contain privileged, confidential or proprietary information. If you are not the intended recipient, you are hereby notified that any dissemination, distribution or copying of this TSB is strictly prohibited. If you have received this TSB in error, please immediately notify the sender and delete or destroy this TSB.			

Title: New improved gas spring design for improved reliability

Subject Inform the field that a new gas spring has been designed to increase the reliability.

Description: Gas spring life on the General Purpose centrifuges can be variable, due to installation tolerances and uneven lifting pressure on lid. This could lead to uneven pressure on the gas spring, resulting in increase wear to one side of the o-ring and eventually loss of gas and pressure.

The new gas spring system includes a bracket with ball head joint. This allows for improved tolerances during installation and allows more movement with uneven pressure, therefore wear will be evenly loaded on the gas spring and the o-ring will be less susceptible to premature wearing, improving the reliability and life of the gas springs.

Exchange of the new gas spring has also been improved, as this is now threaded. Therefore it can be easily exchanged by removing the notch pin and screwing the gas spring out. Installation is simply in reverse order.

A good gas spring lifts the lid a few centimeters out of the latch system when the open lid button is depressed. The gas spring should hold the lid in any vertical position that it is lifted to. If a gas spring is unable to maintain the lifted position, it should be exchanged.

AUTHOR:	CONTACT INFORMATION:	REVIEWED BY QUALITY MANAGER	REVIEWED BY PRODUCT MANAGER:	REVIEWED BY SPM SUPERVISOR:
Michael Wedemeyer	michael.wedemeyer@thermofisher.com	Reinhard Kerl	John Collings	Stefan Czwak

For additional questions, please contact your local service group.

Product Line:
General purpose
Centrifuge

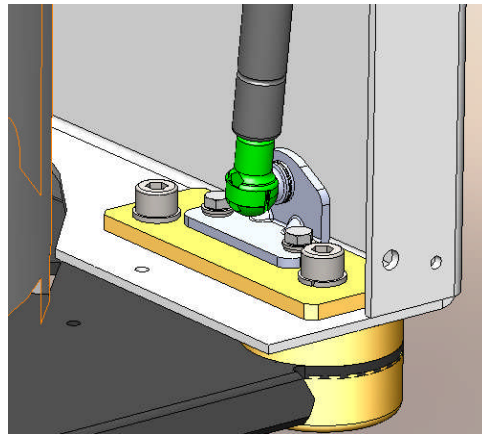
Bulletin Number:
1401-CEN-OHA-0544
revised 3rd

Issue Date:
03/06/15
“DD/MM/YY”

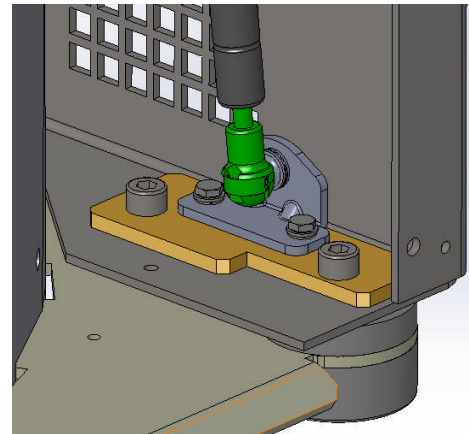
Page Number:
Page 3 of 3

DISCLAIMER:

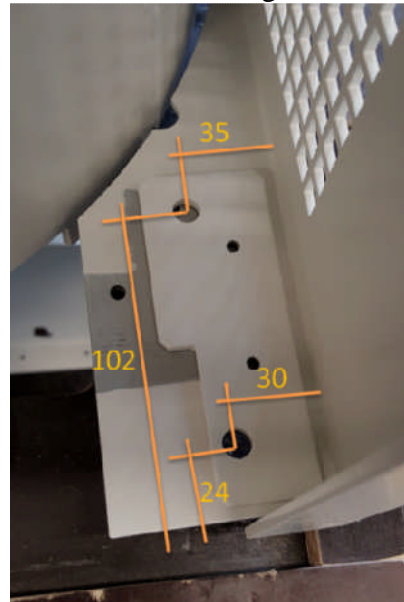
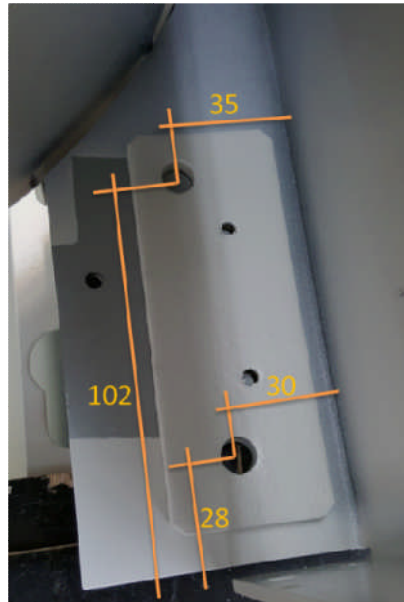
This Technical Service Bulletin (TSB) and any attachments may contain privileged, confidential or proprietary information. If you are not the intended recipient, you are hereby notified that any dissemination, distribution or copying of this TSB is strictly prohibited. If you have received this TSB in error, please immediately notify the sender and delete or destroy this TSB.



GPI ventilated



GPI refrigerated



AUTHOR:	CONTACT INFORMATION:	REVIEWED BY QUALITY MANAGER	REVIEWED BY PRODUCT MANAGER:	REVIEWED BY SPM SUPERVISOR:
Michael Wedemeyer	michael.wedemeyer@thermofisher.com	Reinhard Kerl	John Collings	Stefan Czwak

For additional questions, please contact your local service group.